

GENERAL CHARACTERISTICS

Mechanical Flow Switch for liquids or gaseous media, with contactless triggering of an adjustable micro switch. Rugged design in bronze.

- * good repeatability
- * dirt-resistant
- * high switch capability
- * exact setting of switch via scale



Female thread G1/4 to G3 bronze



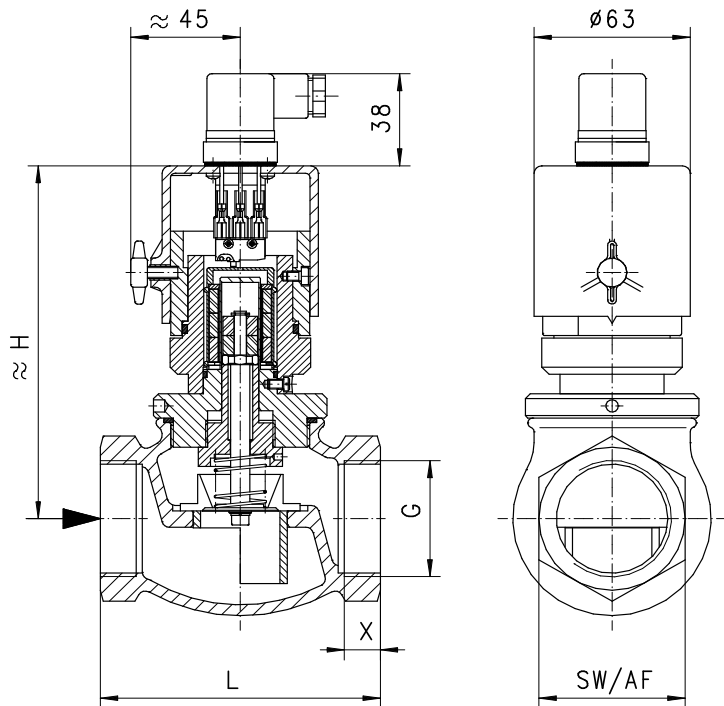
VM-020GR040

TECHNICAL DATA

	G	Type	PN bar	Qmax. recom. l/min H ₂ O		adjustable range l/min H ₂ O		H mm	L mm	AF mm	X mm	weight kg
bronze/brass	G 1/4	VM-008GR...	100	8	15	1 - 5	3 - 12	144	68	29	12	1.2
	G 3/8	VM-010GR...	100	10	15	2 - 6	3 - 12	144	68	29	12	1.3
	G 1/2	VM-015GR...	100	15	30	2 - 6	4 - 20	144	68	29	13	1.4
	G 3/4	VM-020GR...	25	40	50	4 - 12	10 - 40	144	73	32	11	1.5
	G 1	VM-025GR060	25		70		10 - 60	144	87	41	12	1.7
	G 1 1/4	VM-032GR100	16		120		20 - 100	155	98	52	13	2.3
	G 1 1/2	VM-040GR150	16		180		30 - 150	156	113	59	14	3.0
	G 2	VM-050GR250	16		300		50 - 250	164	137	72	17	4.3
	G 2 1/2	VM-065GR400	16		480		50 - 400	195	160	85	26	5.8
	G 3	VM-080GR600	16		720		100 - 600	195	148	100	23	7.0

Adjustable range is indicated for horizontally decreasing flow.

tolerance	±5% of full scale
media temperature	max. 90°C
average pressure loss	0.25 bar at Qmax.
hysteresis	depending on switch value minimum 0.6 l/min.

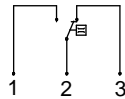


MATERIALS

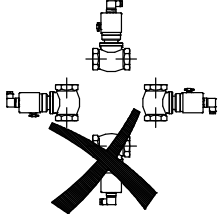
housing	bronze Rg5/Rg6 nickel plated
piston	brass Ms58
spring	stainless steel 1.4310
piston guide	brass Ms58
seal	NBR
magnet	bariumferrite
cap	ABS

ELECTRICAL DATA

micro switch - wiring 0.213 change over
250 V AC 6 A
plug DIN 43650-A
protection class IP 44

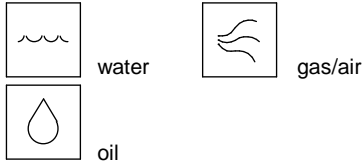


MOUNTING POSITION



Installation position may influence switch value.

METERING SUBSTANCES



NOMENCLATURE

For combinations see table "technical data"

VM-	008	G	R	005			basic type
	008					●	specification
	010					●	DN 8 - G1/4
	015					●	DN 10 - G3/8
	020					●	DN 15 - G1/2
	025					●	DN 20 - G3/4
	032					●	DN 25 - G1
	040					●	DN 32 - G1 1/4
	050					●	DN 40 - G1 1/2
	065					●	DN 50 - G2
	080					●	DN 65 - G2 1/2
		G				●	DN 80 - G3
			R			●	female thread
				005		●	bronze
				006		●	1 - 5 l/min
				012		●	2 - 6 l/min
				020		●	3 - 12 l/min
				040		●	(3) 4 - 20 l/min
				060		●	10 - 40 l/min
				100		●	10 - 60 l/min
				150		●	20 - 100 l/min
				250		●	30 - 150 l/min
				400		●	50 - 250 l/min
				600		●	50 - 400 l/min
						●	100 - 600 l/min
					A	○	switch ATEX (product information 92.1.V2 and 92.1.V3)
Programme option	BASIC					○	signal lamp temperature indicator 0-120°C protection class IP 65 material certification
Special option	VARIO					□	setting / adjustable ranges for oil or gas gold-plated micro switch temperature up to 150°C

IMPORTANT FOR YOUR ORDER

- Please indicate flow direction, metering substance and adjustable range with your order.
- With viscous liquids please indicate viscosity, temperature and metering substance (adjustable range on request)
- With gaseous media indicate pressure (relative or absolute), temperature and metering substance (adjustable range on request)

All technical changes reserved

IBASIC Standard ○BASIC Programme option □VARIO Special option ⊕ PLUS Accessories ✗ not recommendable