

GENERAL CHARACTERISTICS

Spheres fitted with magnets are lifted relative to volume against the field produced by magnetics of opposite polarity thus opening reed switch.

- * low pressure loss
- * fixed switch value

Female thread G1/4 to G1/2 bronze



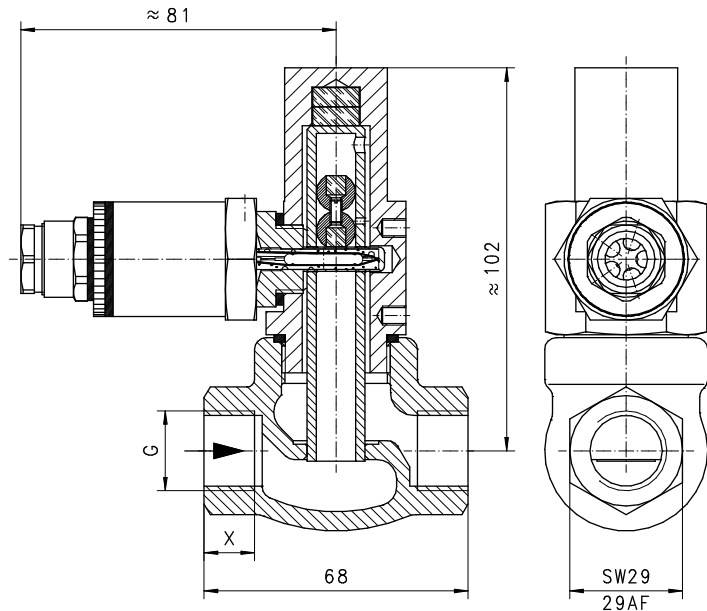
G-015GR

TECHNICAL DATA

	G	Type	PN bar	Qmax. recom. l/min H ₂ O	switch value l/min H ₂ O selectable range for fixed switch	X mm	weight kg
bronze	G 1/4	G-008GR	16	4	0.015 - 0.4	12	0.6
	G 3/8	G-010GR	16	8	0.015 - 0.4	12	0.6
	G 1/2	G-015GR	16	12	0.015 - 0.4	13	0.6

Adjustable range is indicated for horizontally decreasing flow.

tolerance	±10 %
media temperature	max. 80°C
average pressure loss	0.02 bar at Qmax.
hysteresis	depending on switch value minimum 0.2 l/min.

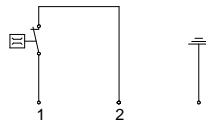


MATERIALS

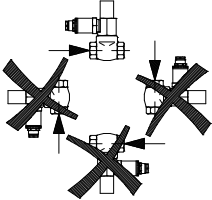
housing	bronze Rg5 nickel plated
body	brass Ms58 nickel plated
sphere	POM
magnet	bariumferrite
seal	Klingerit C-4400

ELECTRICAL DATA

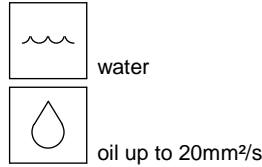
reed switch - wiring 0.214 n.c.
250 V AC 1 A 50 VA
cable gland Pg 9 (cable not included)
protection class IP 65



MOUNTING POSITION



METERING SUBSTANCES



NOMENCLATURE

For combinations see table "technical data"

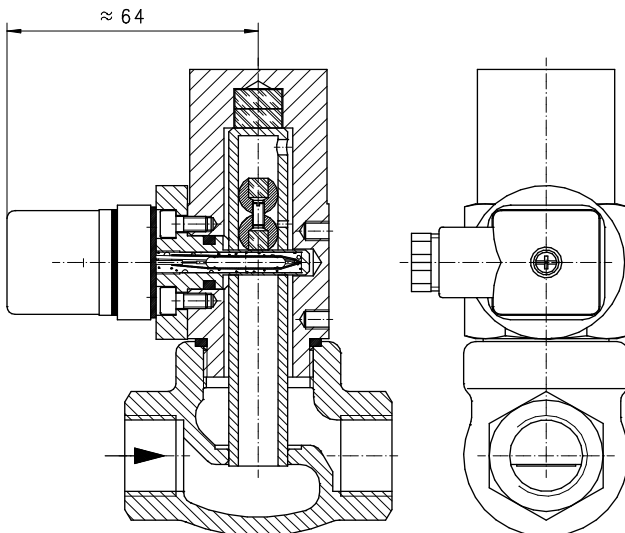
G-	008	G	R	basic type specification
	008			● nominal diameter DN 8 - G1/4
	010			● nominal diameter DN 10 - G3/8
	015			● nominal diameter DN 15 - G1/2
		G		● female thread
			R	● bronze
Programme option BASIC				○ plug DIN 43650-A ● cable gland Pg 11 (cable not included) ● change over ● approval Germanischer Lloyd (GL)
Special option VARIO				□ setting / adjustable ranges for oil or gas special setting

IMPORTANT FOR YOUR ORDER

- Please indicate metering substance and adjustable range with your order.
- With viscous liquids please indicate viscosity, temperature and metering substance (adjustable range on request)

OPTION

plug DIN43650-A



All technical changes reserved

●BASIC Standard ○BASIC Programme option □VARIO Special option ⊕ PLUS Accessories ✗ not recommendable