



GENERAL CHARACTERISTICS

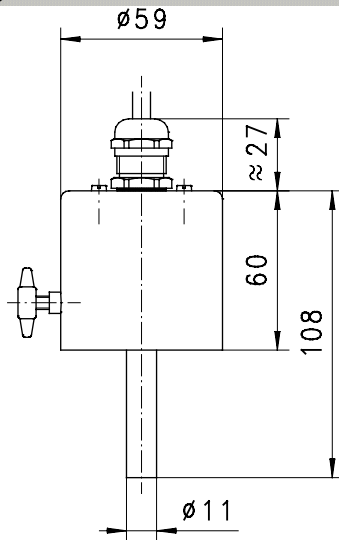
A flow switch, for liquid or gaseous media, with magnetical actuation of a reed switch.



I M1 EEx ia I



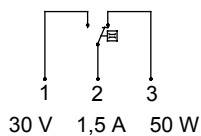
DIMENSIONS



ELECTRICAL DATA

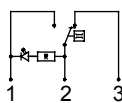
reed switch
cable 2.5 m
temperature max. 50°C
protection class IP 65

wiring 0.213



30 V 1,5 A 50 W

wiring 0.208
diode red



15 V 1,5 A 50 W
28 V 1,5 A 50 W
36 V 1,5 A 50 W

APPLICATION FOR TYPE

switch head	type
A-V1	VD
	VDO

NOMENCLATURE

A-V1	-1	basic type specification
A-V1		● switch head A-V1
	-1	● wiring 0.213
	-2	● wiring 0.208 15 V
	-3	● wiring 0.208 28 V
	-4	● wiring 0.208 36 V



All technical changes reserved

●BASIC Standard ○BASIC Programme option □VARIO Special option ⊕ PLUS Accessories ✗ not recommendable