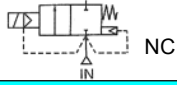


Media: vacuum - air - water
 Pressure range: 0 to 2 bar max
 Media temperature: -10°C +60° C max
 Ambient temperature: -20° to +60°C
 Media viscosity: 50 centistokes max
 Mounting: coil upright

2/2 Bronze Flanged

N/CLOSED
 2 WAY ASSISTED LIFT

TYPE LK



PRESSURE

Ø Port ANSI150Lb	Ø Orifice (mm)	Flow Rate Cv Ltr/ min	Pressure Rating (bar)		Seals	Max Media Temp. °C	Part Number	List Price
			Min ΔP	Max ΔP				
2 1/2 DN65	80	1367	0	2	NBR	60	LK65NBR + voltage	£820.00
3 DN80	80	1616	0	2	NBR	60	LK80NBR + voltage	£820.00
4 DN100	100	2833	0	1	NBR	60	LK100NBR + voltage	£918.40

OPTIONS

Connector PG9 – DIN 43650 A IP65 Coil Cast Bronze Body	Included Included TBA
--	--

ELECTRICAL DATA

Voltage (-10% + 10%) Continuous duty 100%		Coil Size	Power	Insulation class	Enclosure	Electrical connections
~ 24 - 110 - 230 (Rectified)	22007	30 Watts	F 155°C	IP 65 with connector	3 spades DIN 43650 DIN 40050 VDE 0110	
= 12 - 24 (DC)						

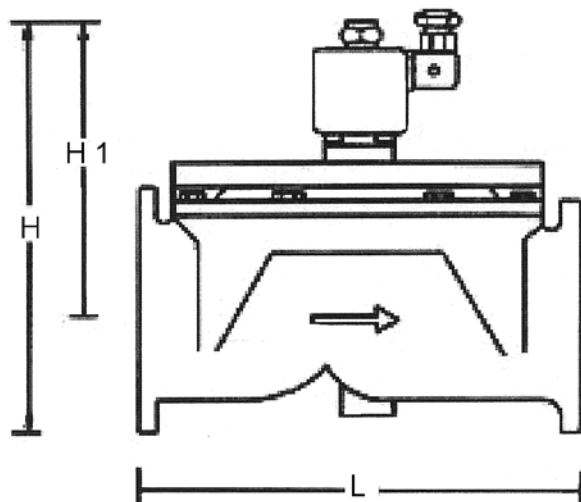
CONSTRUCTION

Body : Bronze
 Tube and internal parts : Stainless steel
 Seals and gaskets : NBR
 Moulded coil : Resin

REPAIR KIT

Diaphragm Seal	LK + Port + NBR
Coil	22007 + voltage
Complete plunger + O' rings	KIT + valve part number

OVERALL DIMENSIONS



Model	LK65	LK80	LK100
Port	65	80	100
L	290	290	340
H	336	336	391
H1	243	243	291
Kg	21Kg	21Kg	36Kg



0.3-16 BAR
 BFEB
 Page 14