



**PRESSURE SWITCHES  
PRESSURE DIFFERENCE SWITCHES  
VACUUM SWITCHES**  
From 1.5 mbar to 600 bar

## FC Temperature Switch

# CATALOGUE



Certificate No.: **FM 72815**

### **Kaustubha Udyog** AN ISO9001:2008 COMPANY

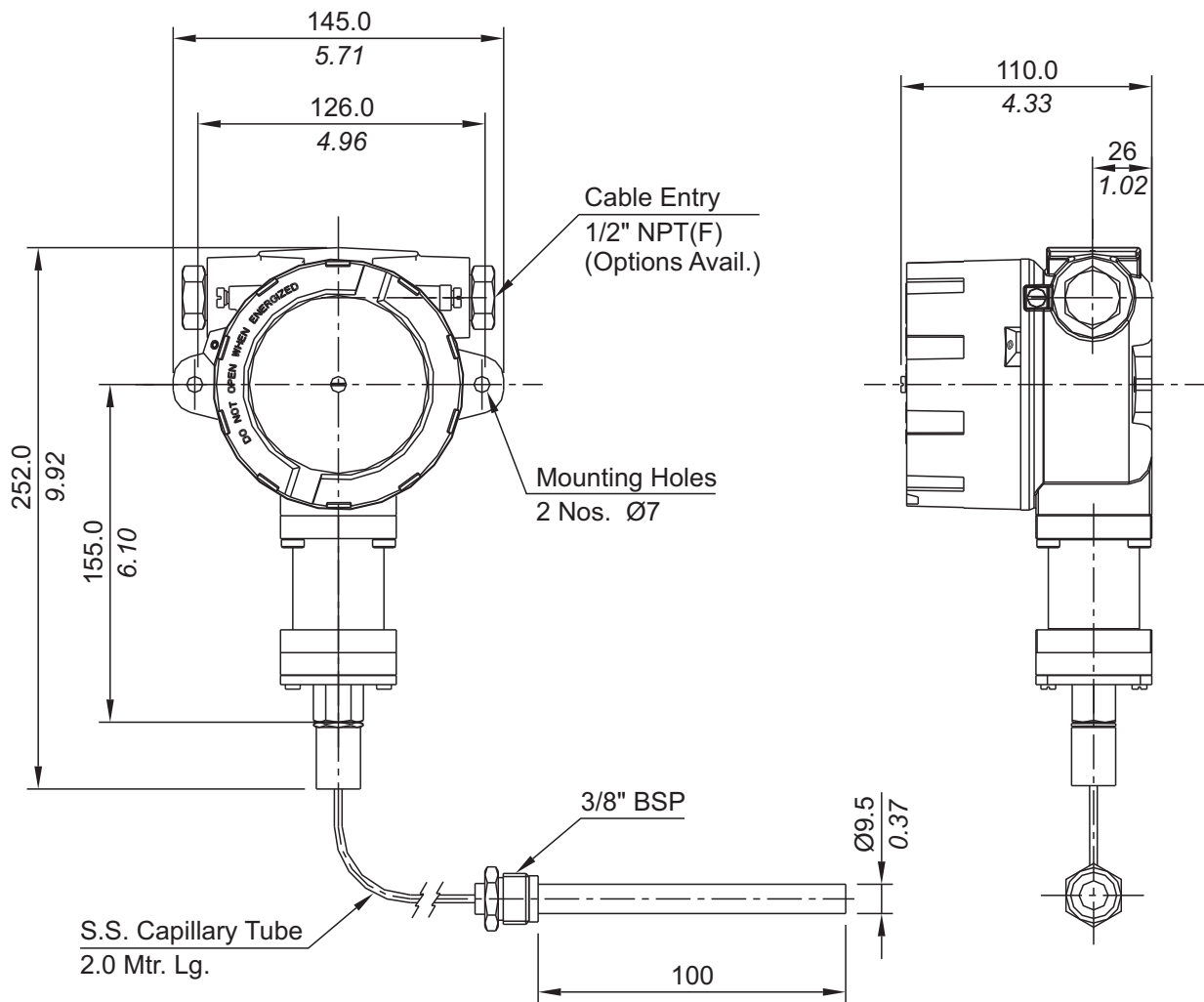
S. No. 36/1/1, Sinhgad Road, Vadgaon Khurd,  
Near Lokmat Press, Pune 411 041 INDIA  
Tel.: +91-(0) 20-24393577 / 24393877  
Telefax : +91-(0) 20-25460486 / 24393577  
Email : [pressure@vsnl.com](mailto:pressure@vsnl.com)

Website : <http://www.orion-instruments.com>

# FC TEMPERATURE SWITCH



## INSTALLATION DRAWING



APPROX. DIMENSIONS IN  $\frac{\text{mm}}{\text{inches}}$

BULLETIN NO. : KA100428

**RANGE SELECTION TABLE**

Range Code	Range °C	*On-off Differential °C	Maximum Working Temp. °C
T1H	25 - 90	15	150
T2H	70-150	20	200
T3H	120-215	30	300

\* Approximate differential at midrange for A1 microswitch. Differentials increase with setpoint. Differentials vary with microswitch combinations. Please consult sales office for details

## HOW TO ORDER INDUSTRIAL TEMPERATURE SWITCHES

Group 1	Group 2	Group 3	Group 4	Group 5	Group 6	Group 7	Group 8
Non standard allocation	Gas Group Classification	Cable Entry Size	Switch Type	Range Code (values in Deg. Cen.)	Microswitch Type	Temp. Bulb Size & Material	Capillary Size & Material
<input type="checkbox"/> Reserved for Non-standard Options not covered in Catalogue. Will Be given by Manufacturer, Only after Agreement of Supply details With customer.	<b>FC</b> = Flameproof temp. switch with diecast Aluminum Enclosure to IP66	<b>1</b> = 1/2" NPT threads <b>2</b> = 3/4" NPT threads <b>3</b> = M20 X 1.5 threads	<b>TF1</b> = Temperature Switch fixed differential without scale <b>TF2</b> = Temperature Switch fixed differential with scale	<b>T1H</b> = 25 - 90 <b>T2H</b> = 70 - 150 <b>T3H</b> = 120 - 215	<b>A1</b> = General purpose microswitch rated at 15 A; 250 VAC <b>A7</b> = 2SPDT switching elements	<b>B1</b> = Brass, Dia. 9.5 mm, 123 mm length, with 3/8" BSP (M) thermowell connection <b>B2</b> = Brass, Dia. 9.5 mm, 123 mm length, with 3/8" NPT (M) thermowell connection	<b>2</b> = 2.0 meter, SS316

E.g. A Flameproof Temperature switch, with 1/2"NPT cable entry in aluminum housing as 1 SPDT, fixed differential without scale, having 25°C to 90°C temperature range, with 15 Amp. microswitch, with Brass 9.5 mm diameter bulb, having length 123 mm with 3/8"BSP(M), with 2.0 meter SS316 capillary length shall be specified by

Group 1	Group 2	Group 3	Group 4	Group 5	Group 6	Group 7	Group 8
<input type="checkbox"/>	FC	1	TF1	T1H	A1	B1	2

Please specify full model number to avoid ambiguity.