

**GENERAL CHARACTERISTICS**

The Fine Filter is fitted with various filter elements in mesh size and material. Filters are employed for the cleaning of liquids and gases.

- \* filter from 5 µm to 300 µm
- \* simple cleaning
- \* transparent or opaque cups

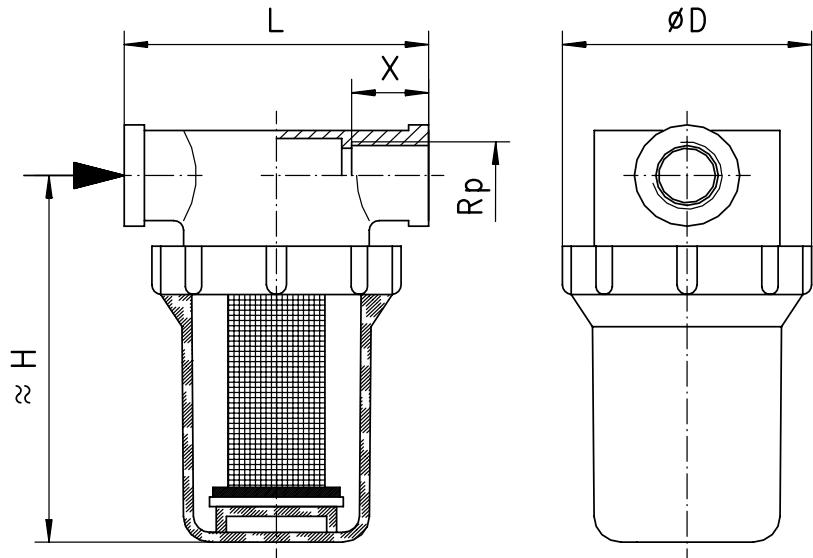
Female thread Rp 1/8" to Rp 3/4" PP



**TECHNICAL DATA**

	Rp	Type	H mm	L mm	D mm	X mm	weight kg
Rp	Rp 1/8"	ZEK-004GP....	50	77	48.5	19	0.050
		ZEL-004GP....	84	77	48.5	19	0.075
	Rp 1/4"	ZEK-008GP....	50	77	48.5	19	0.050
		ZEL-008GP....	84	77	48.5	19	0.070
	Rp 3/8"	ZEK-010GP....	54	77	48.5	19	0.065
		ZEL-010GP....	88	77	48.5	19	0.085
		ZEG-010GP....	114	91	75	20	0.175
	Rp 1/2"	ZEK-015GP....	54	77	48.5	19	0.060
		ZEL-015GP....	88	77	48.5	19	0.080
		ZEG-015GP....	114	91	75	20	0.170
	Rp 3/4"	ZEG-020GP....	119	91	75	20	0.190

operational pressure      10 bar at 24°C  
                                       7 bar at 52°C  
 operational temperature    max. 52°C



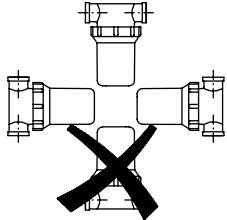
**MATERIALS**

housing                    PP  
 cap                        PP or transparent nylon  
 filter                      UHMW-PE sintered plastic or stainless steel  
 seal                        NBR / Viton

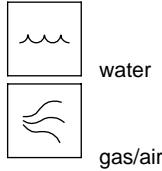
**ELECTRICAL DATA**

No electrical components.

**MOUNTING POSITION**



**METERING SUBSTANCES**



**NOMENCLATURE**

For combinations see table "technical data"

ZEK-	015	G	P	P	005	N		basic type
ZEK-							●	short filter Ø 18
ZEL-							●	longer filter Ø 18
ZEG-							●	large filter Ø 28
	004						●	nominal diameter DN 4 - Rp1/8"
	008						●	DN 8 - Rp1/4"
	010						●	DN 10 - Rp3/8"
	015						●	DN 15 - Rp1/2"
	020						●	DN 20 - Rp3/4"
		G					●	female thread
			P				●	housing PP
				P			●	cap PP
				N			●	cap transparent nylon
					005		●	filter 5 µm sintered plastic
					035		●	35 µm sintered plastic
					080		●	80 µm sintered plastic
					050		●	50 µm stainless steel
					100		●	100 µm stainless steel
					300		●	300 µm stainless steel
						N	●	seal NBR
						V	●	seal Viton

All technical changes reserved

●BASIC Standard ○BASIC Programme option □VARIO Special option ⊕ PLUS Accessories

 not recommendable