

GENERAL CHARACTERISTICS

Instruments operate with a spring-supported paddle and magnetical triggering of an adjustable micro switch.

- * low pressure loss
- * high switch capability
- * exact setting of switch via scale



Socket flange DN40 to DN200 brass/stainless steel



VM-050EM300

TECHNICAL DATA

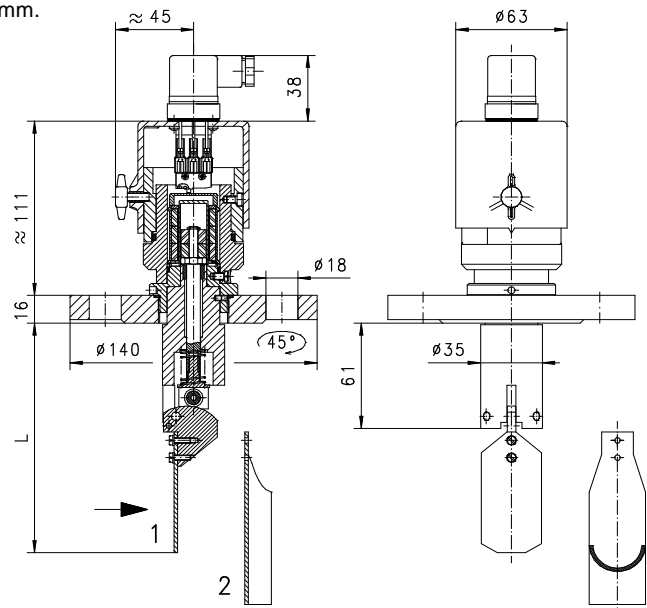
	DN	Type	PN bar	Qmax. recom. l/min H ₂ O	adjustable range l/min H ₂ O	paddle-form	L approx mm	weight kg
brass / stainless steel	40	VM-040E.150	16	250	40 - 150	1	93	3.0
	50	VM-050E.150	16	450	50 - 150	1	104	3.0
		VM-050E.300	16	450	100 - 300	1	96	3.0
	65	VM-065E.300	16	550	100 - 300	1	115	3.0
		VM-065E.375	16	550	125 - 375	1	90	3.0
	80	VM-080E.450	16	900	150 - 450	1	118	3.0
		VM-080E.600	16	900	200 - 600	1	115	3.0
	100	VM-100E.750	16	1400	250 - 750	2	158	3.0
		VM-100E.900	16	1400	300 - 900	2	122	3.0
	150	VM-150E.1500	16	2700	500 - 1500	2	198	3.0
	VM-150E.1800	16	2700	600 - 1800	2	198	3.0	
200	VM-200E.3000	16	5400	1000 - 3000	2	213	3.5	
	VM-200E.3600	16	5400	1200 - 3600	2	213	3.5	

Adjustable range is indicated for horizontally decreasing flow.
Calibrated in tube DIN2448 standard wall thickness, socket height 50mm.

tolerance	±5% of full scale
media temperature	max. 90°C
average pressure loss	0.1bar at Qmax.
hysteresis	depending on switch value minimum 5 l/min.

MATERIALS

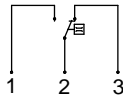
	VM-...EM	VM-...EK
flange	bronze Rg5	stainless steel 1.4571
body	brass Ms58 nickel plated	stainless steel 1.4305
paddle	stainless steel 1.4305 ; 1.4301	stainless steel 1.4305 ; 1.4301
components	up to DN 80 - stainless steel 1.4571 from DN100 - brass Ms58	
spring	stainless steel 1.4310	stainless steel 1.4310
magnet	oxyd 300	oxyd 300
seal	NBR	viton



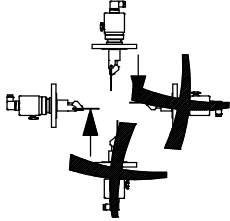
flange DIN 2527 nominal pressure 16 nominal diameter 32
sealing surface DIN 2526 form C
Attention! Flange seal is not included in standard shipment.

ELECTRICAL DATA

micro switch - wiring 0.213 change over
250 V AC 6 A
plug DIN 43650-A
protection class IP 44

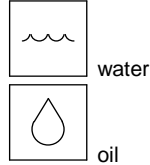


MOUNTING POSITION



Installation position may influence switch value.

METERING SUBSTANCES



NOMENCLATURE

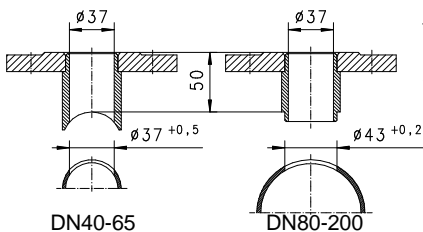
For combinations see table "technical data"

VM-	040	E	M	150			basic type specification
	040				●	nominal diameter of pipe	DN 40
	050				●		DN 50
	065				●		DN 65
	080				●		DN 80
	100				●		DN 100
	150				●		DN 150
	200				●		DN 200
		E			●		socket flange
			M		●		brass design
			K		●		stainless steel design
				150	●	adjustable range H ₂ O horizontal	40(50) - 150 l/min
				300	●		100 - 300 l/min
				375	●		125 - 375 l/min
				450	●		150 - 450 l/min
				600	●		200 - 600 l/min
				750	●		250 - 750 l/min
				900	●		300 - 900 l/min
				1500	●		500 - 1500 l/min
				1800	●		600 - 1800 l/min
				3000	●		1000 - 3000 l/min
				3600	●	1200 - 3600 l/min	
					A ○		switch head ATEX (product information 92.1.V2 + 92.1.V3)
Programme option	BASIC				○		protection class IP 65 nominal diameter DN 250-500 gold-plated micro switch signal lamp
Special option	VARIO				□		special flanges temperature up to 250°C (stainless steel) / up to 200°C (brass) type VMX

IMPORTANT FOR YOUR ORDER

- Please indicate flow direction, metering substance and adjustable range with your order.
- With viscous liquids please indicate viscosity, temperature and metering substance (adjustable range on request)

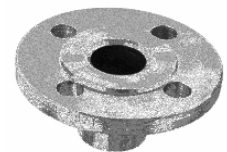
INSTALLATION RECOMMENDATIONS



tube Din 2448
standard
wall thickness

ACCESSORIES

The socket flanges as indicated in the installation recommendations are available in the Honsberg accessory range. See product information 71.1 FL.



All technical changes reserved

●BASIC Standard ○BASIC Programme option □VARIO Special option ⊕ PLUS Accessories ✗ not recommendable