

**GENERAL CHARACTERISTICS**

Mechanical Flow Switch for liquids or gaseous media, with contactless triggering of an adjustable micro switch. Rugged design in cast steel.

- \* control an indicating
- \* media temperature 350°C
- \* good repeatability
- \* dirt-resistant
- \* high switch capability
- \* DIN flange housing



Flange DN 15-200 cast steel



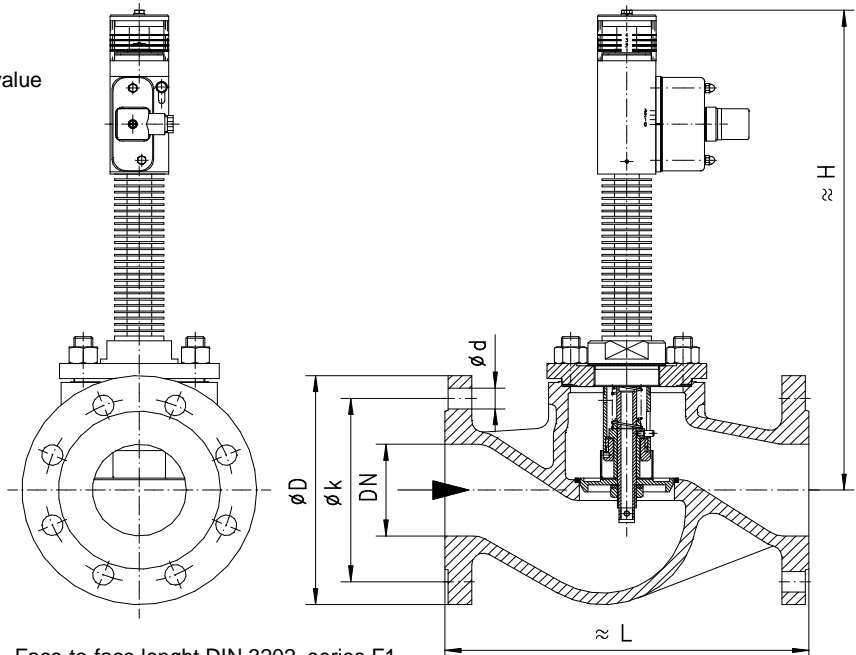
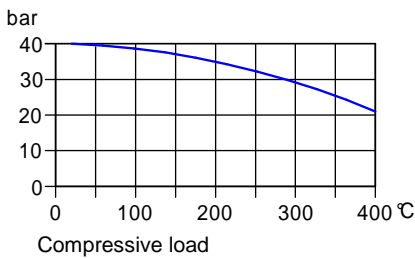
TX-015FT020K

**TECHNICAL DATA**

	DN	Type	PN bar	Qmax. rec.		adjustable range		H mm	L mm	D mm	k mm	d mm	weight kg
				l/min H <sub>2</sub> O		l/min H <sub>2</sub> O							
cast steel	15	TX-015FT...	40	20	30	2 - 8	4 - 20	370	130	95	65	4x14	6.0
	20	TX-020FT...	40	40	55	4 - 20	10 - 40	370	150	105	75	4x14	6.5
	25	TX-025FT...	40	60	80	10 - 40	20 - 60	380	160	115	85	4x14	8.5
	32	TX-032FT...	40	100	135	20 - 60	30 - 100	380	180	140	100	4x18	10.5
	40	TX-040FT...	40	150	270	30 - 100	50 - 200	390	200	150	110	4x18	13.0
	50	TX-050FT...	40	270	340	50 - 200	100 - 250	390	230	165	125	4x18	15.5
	65	TX-065FT...	40		400	100 - 250	150 - 300	410	290	185	145	8x18	25.5
	80	TX-080FT...	40		600	150 - 300	300 - 450	430	310	200	160	8x18	31.0
	100	TX-100FT...	40		950	200 - 400	350 - 500	450	350	235	190	8x22	38.0
	150	TX-150FT...	40		2000	600 - 750	700 - 950	510	480	300	250	8x26	87.0
200	TX-200FT...	40		4000	850 - 1050	1050 - 1250	580	600	375	320	12x30	154.0	

Adjustable range is indicated for horizontally decreasing flow.

- Tolerance ±5% of full scale
- Media temperature max. 350°C
- Average pressure loss 0.5 bar at Qmax.
- Hysteresis depending on switch value  
minimum 0.3 l/min.



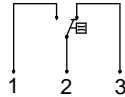
Face-to-face length DIN 3202, series F1  
Flange DIN 2545 PN 40  
Flange dimension DIN 2501 PN 40  
Types of contact faces DIN 2526 Form C

**MATERIALS**

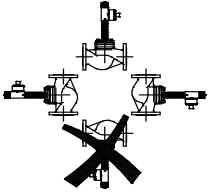
- housing cast steel GSC 25
- body stainless steel 1.4571
- piston stainless steel 1.4301 ; 1.4305 ; 1.4571
- spring stainless steel 1.4310
- piston sleeve stainless steel 1.4571
- seal sigraflex V20011Z3I
- viton
- magnet bariumferrite
- tube acrylic (XT)

**ELECTRICAL DATA**

micro switch - wiring 0.213 change over  
250 V AC 6 A  
plug DIN 43650-A  
protection class IP 44

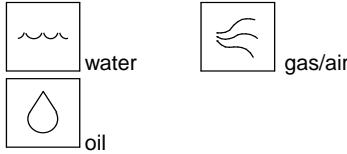


**MOUNTING POSITION**



Installation position may influence switch value.

**METERING SUBSTANCES**



**NOMENCLATURE**

For combinations see table "technical data"

TX-	015	F	T	008	B		basic type specification
	015				●	nominal diameter	DN 15
	020				●		DN 20
	025				●		DN 25
	032				●		DN 32
	040				●		DN 40
	050				●		DN 50
	065				●		DN 65
	080				●		DN 80
	100				●		DN 100
	150				●		DN 150
	200				●	DN 200	
		F			●		flange
			T		●		housing cast steel
				008	●	adjustable range H <sub>2</sub> O horizontal	2 - 8 l/min
				020	●		4 - 20 l/min
				040	●		10 - 40 l/min
				060	●		20 - 60 l/min
				100	●		30 - 100 l/min
				200	●		50 - 200 l/min
				250	●		100 - 250 l/min
				300	●		150 - 300 l/min
				400	●		200 - 400 l/min
				450	●		300 - 450 l/min
				500	●		350 - 500 l/min
				750	●		600 - 750 l/min
				950	●	700 - 950 l/min	
				1050	●	850 - 1050 l/min	
				1250	●	1050 - 1250 l/min	
					B ●		plug DIN 43650-A
					K ●		cable gland Pg9 with 2.5 metre cable and TÜV-approval TÜV.SW.02-021
Programme optionen BASIC					○		housing stainless steel

**IMPORTANT FOR YOUR ORDER**

- Please indicate flow direction, metering substance and adjustable range with your order.
- With viscous liquids please indicate viscosity, temperature and metering substance (adjustable range on request)
- With gaseous media indicate pressure (relative or absolute), temperature and metering substance (adjustable range on request)

All technical changes reserved

●BASIC Standard ○BASIC Programme option □VARIO Special option ⊕ PLUS Accessories ✗ not recommendable