

**GENERAL CHARACTERISTICS**

Mechanical Flowmeter with spring-supported piston, for liquids or gaseous media. The triggering of the indication ring is realised by means of a magnetic link between the indication ring and wetted piston. Rugged design in brass or stainless steel.

- \* local metering
- \* also for dark and/or contaminated liquids
- \* turnable scale
- \* no pressurized or wetted glass parts
- \* optional switch head

Female thread G1/4 to G1 brass/stainless steel



NO-015GM030

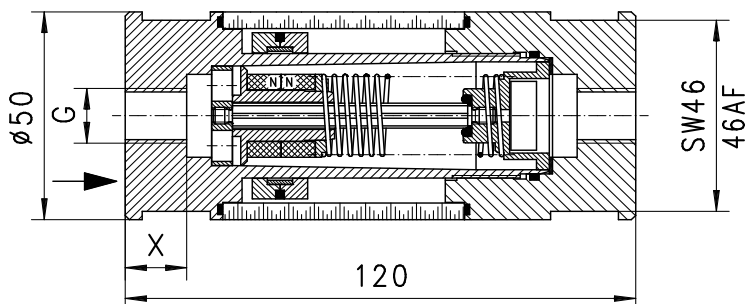
**TECHNICAL DATA**

	G	Type	PN bar	Qmax. recom. l/min H <sub>2</sub> O	indicating range l/min H <sub>2</sub> O	X mm	weight kg
brass	G 1/4	NO-008GM015	50	15	3 - 15	13	1.25
	G 3/8	NO-010GM015	50	15	3 - 15	13	1.20
	G 1/2	NO-015GM030	50	30	5 - 30	15	1.20
	G 3/4	NO-020GM050	50	50	5 - 50	18	1.10
	G 1	NO-025GM060	50	60	10 - 60	18	1.00
stainless steel	G 1/4	NO-008GK015	50	15	3 - 15	13	1.25
	G 3/8	NO-010GK015	50	15	3 - 15	13	1.20
	G 1/2	NO-015GK030	50	30	5 - 30	15	1.20
	G 3/4	NO-020GK050	50	50	5 - 50	18	1.10
	G 1	NO-025GK060	50	60	10 - 60	18	1.00

Indicating range is calibrated for horizontally decreasing flow.

tolerance ±5% of full scale  
minimal 1l/min  
media temperature max. 90°C  
average pressure loss 0.7bar at Qmax.

Avoid instant flushing of instrument beyond max scale increment.  
Contact technical sales service!



**MATERIALS**

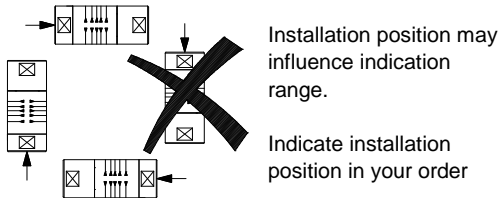
	NO-...GM	NO-...GK
housing	brass Ms58 nickel plated	stainless steel 1.4305
piston	brass Ms58	stainless steel 1.4305
spring	stainless steel 1.4310	stainless steel 1.4310
support	PVDF	PVDF
magnet	oxyd 300	oxyd 300
seal	NBR / viton	viton
tube	acrylic (XT)	acrylic (XT)

**ELECTRICAL DATA**

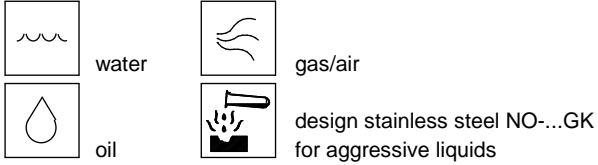
● **BASIC Standard**  
No electrical components.

○ **BASIC programme options**  
switch head plastic  
see description NOK-

**MOUNTING POSITION**



**METERING SUBSTANCES**



**NOMENCLATURE**

For combinations see table "technical data".

NO-	008	G	M	015	basic type specification	
NO-				●	Flowmeter	
NOK-				○	Flowmeter with switch unit plastic	
	008			●	nominal diameter	
	010			●		DN 8 - G1/4
	015			●		DN 10 - G3/8
	020			●		DN 15 - G1/2
	025			●		DN 20 - G3/4
				●		DN 25 - G1
		G		●	female thread	
			M	●	housing Ms58	
			K	●	housing stainless steel	
			015	●	indicating range H <sub>2</sub> O	
			030	●		3 - 15 l/min
			050	●		5 - 30 l/min
			060	●		5 - 50 l/min
				●	10 - 60 l/min	

**IMPORTANT FOR YOUR ORDER**

- Please indicate flow direction, metering substance and indication range with your order.
- With viscous liquids please viscosity, temperature and metering substance (indication range on request)
- With gaseous media indicate pressure (relative and absolute), temperature and metering substance (indication range on request)

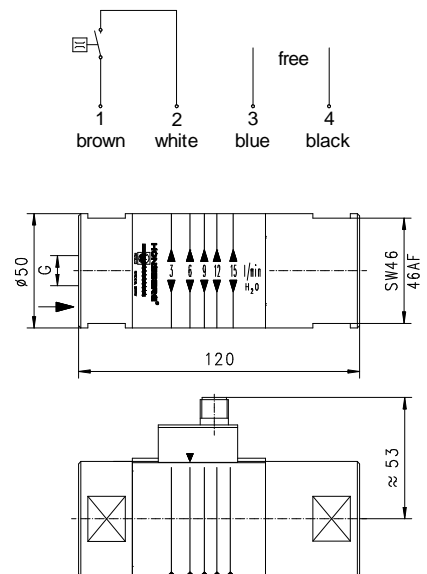
**OPTIONS**

○ **NOK-** Flowmeter with switch unit plastic  
reed switch - wiring diagram 0.212 n.o.  
250 V AC 1 A 15 VA  
contact for locking plug M 12x1, 4-pole  
protection class IP 65

indicating range	adjustable range
l/min H <sub>2</sub> O	l/min H <sub>2</sub> O
3- 15	3- 12
5- 30	5- 25
5- 50	5- 40
10- 60	10- 50

Swich range is indicated for horizontally decreasing flow.  
Additional weight 0.02kg

- switch unit fixed to pigeon tail
- direct scale reference



All technical changes reserved

●BASIC Standard ○BASIC Programme option □VARIO Special option ⊕ PLUS Accessories ✗ not recommendable