

**GENERAL CHARACTERISTICS**

Mechanical Flow Switch for liquids or gaseous media with spring supported piston and magnetic actuation of a reed switch. Robust design, produced in materials brass or stainless steel.

- \* good repeatability
- \* dirt-resistance
- \* high switch capability
- \* hermetic separation of mechanical and electrical component
- \* exact setting of switch via scale + gear



Female thread G1/4 - G1 brass/stainless steel



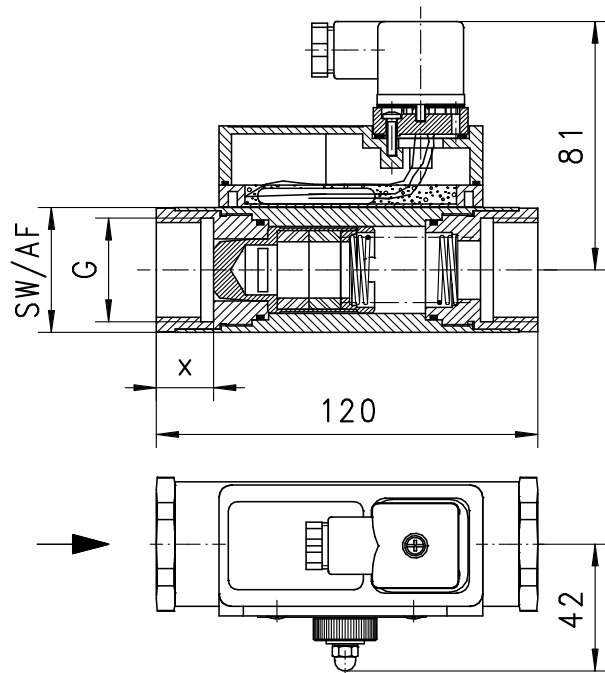
HD1K-020GM040

**TECHNICAL DATA**

	G	Type	PN bar	Qmax. recom. l/min H <sub>2</sub> O	adjustable range l/min H <sub>2</sub> O			AF mm	X mm	weight kg
brass	G 1/4	HD1K-008GM005	200	10	0.5 - 5			40	15	1.3
	G 3/8	HD1K-010GM...	200	20	0.5 - 5	1 - 10		40	15	1.3
	G 1/2	HD1K-015GM...	200	40	1 - 10	2 - 20	3 - 30	40	15	1.2
	G 3/4	HD1K-020GM...	200	60	3 - 30	4 - 40		40	18	1.2
	G 1	HD1K-025GM...	200	80	4 - 40	6 - 60		40	18	1.1
stainless steel	G 1/4	HD1K-008GK005	200	10	0.5 - 5			41	15	1.3
	G 3/8	HD1K-010GK...	200	20	0.5 - 5	1 - 10		41	15	1.3
	G 1/2	HD1K-015GK...	200	40	1 - 10	2 - 20	3 - 30	41	15	1.2
	G 3/4	HD1K-020GK...	200	60	3 - 30	4 - 40		41	18	1.2
	G 1	HD1K-025GK...	200	80	4 - 40	6 - 60		41	18	1.1

Adjustable range is indicated for horizontally decreasing flow.

tolerance	±5% of full scale
media temperature	max. 120°C
average pressure loss	0.5 bar at Qmax.
hysteresis	depending on switch value minimum 0.7 l/min.

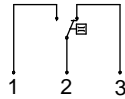


**MATERIALS**

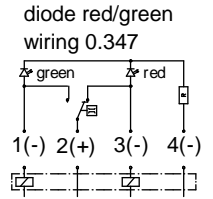
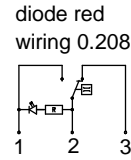
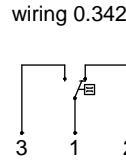
	HD1K-...GM	HD1K-...GK
body	brass Ms58 nickel plated	stainless steel 1.4571
piston	brass Ms58	stainless steel 1.4404
spring	stainless steel 1.4310	stainless steel 1.4310
magnet	bariumferrite	bariumferrite PTFE plated
seals	NBR	viton
switch head	polycarbonate	polycarbonate

**ELECTRICAL DATA**

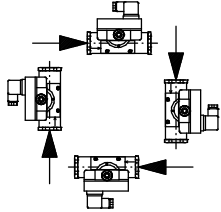
reed switch - wiring 0.213 change over  
 250 V AC 1.5 A 50 VA  
 plug DIN 43650-A  
 protection class IP 65



**O**BASIC  
 Programme-  
 options



**MOUNTING POSITION**



Installation position may influence switch value.

**METERING SUBSTANCES**



water



gas/air



oil



design stainless steel HD1K-...GK  
 for aggressive liquids

**NOMENCLATURE**

For combination see table "technical data"

HD1K	-	008	G	M	005				basic type
HD1K									specification
H1									Flow Switch
									Flow Indicator
	-								without metering unit
	O-								with lateral flow metering unit
	Z-								with front flow metering unit
		008						nominal diameter	DN 8 - G1/4
		010							DN 10 - G3/8
		015							DN 15 - G1/2
		020							DN 20 - G3/4
		025							DN 25 - G1
			G						female thread
				M					brass
				K					stainless steel
					005			adjustable range H <sub>2</sub> O horizontal	0.5 - 5 l/min
					010				1 - 10 l/min
					020				2 - 20 l/min
					030				3 - 30 l/min
					040				4 - 40 l/min
					060				6 - 60 l/min
						A			switch ATEX (produkt information 92.1.H1-1)
						E			connection by local electronic (e.g. omni-HD1K)
Programme option									wiring 0.342
BASIC									wiring 0.208 - diode red integrated in plug DIN 43650-A
									wiring 0.347 - diode red/green integrated in plug DIN 43650-A
Special option									high pressure PN 400 bar / 500 bar
VARIO									incremented scale
									switch head metal
									flat switch head plastic
									selected hysteresis / vibration-proof
									rhodium contact
									contact for locking plug M 12x1, 4-pole
									two to four independent switch heads
									setting / adjustable ranges for oil or gas
									special setting
									approval Germanischer Lloyd type HR

**IMPORTANT FOR YOUR ORDER**

- Please indicate flow direction, metering substance and adjustable range with your order.
- With viscous liquids please indicate viscosity, temperature and metering substance (adjustable range on request)
- With gaseous media indicate pressure (relative or absolute), temperature and metering substance (adjustable range on request)

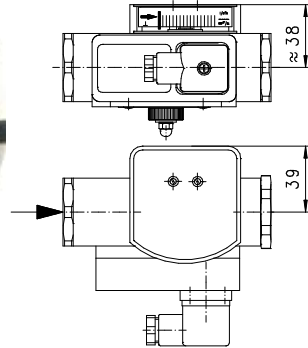
All technical changes reserved

●BASIC Standard ○BASIC Programme option □VARIO Special option ⊕ PLUS Accessories ✗ not recommendable

○ HD1KO- Flow Switch with lateral flow metering unit



adjustable range l/min H <sub>2</sub> O	metering range l/min H <sub>2</sub> O
0,5 - 5	0,5 - 6
1 - 10	1 - 12
2 - 20	2 - 23
3 - 30	4 - 34
4 - 40	5 - 45
6 - 60	5 - 65

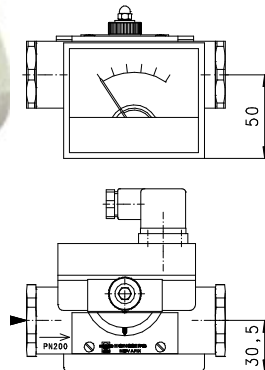


The metering range is indicated for horizontally increasing flow  
protection class IP 60  
additional weight 0.1kg

○ HD1KZ- Flow Switch with front flow metering unit



adjustable range l/min H <sub>2</sub> O	metering range l/min H <sub>2</sub> O
0,5 - 5	0,5 - 6
1 - 10	1 - 12
2 - 20	2 - 22
3 - 30	3 - 34
4 - 40	4 - 45
6 - 60	5 - 65



The metering range is indicated for horizontally increasing flow  
media temperature max. 70°C  
protection class IP 40  
additional weight 0.1kg

**EXAMPLES FOR FURTHER OPTIONS**



switch head metal or flat switch head plastic, switch head ATEX



media temperaturer 150°C combinably with all Honsberg-electronics sensors or electronics heads



Flex-K-HD1K switch- or frequency output 0..10V or 4..20mA PNP, NPN



omni-HD1K 2xNPN and PNP switch point 4(0)..20mA output graphical LCD display with flashing LED, program ring

All technical changes reserved

IBASIC Standard ○BASIC Programme option □VARIO Special option ⊕ PLUS Accessories

✗ not recommendable