

GENERAL CHARACTERISTICS

Mechanical Flow Switch for liquids or gaseous media, with spring-supported piston and magnetic triggering of a reed switch. Rugged construction in brass with additional viscosity compensation.

- * viscosity compensation 1-200mm²/s
- * good repeatability
- * dirt-resistance
- * high switch capability
- * hermetic separation of mechanical and electrical component
- * exact setting of switch via scale + gear



Female thread G1/4 to G1 brass



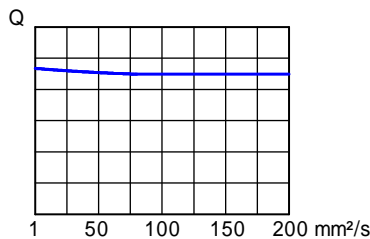
HD1KV-020GM025

TECHNICAL DATA

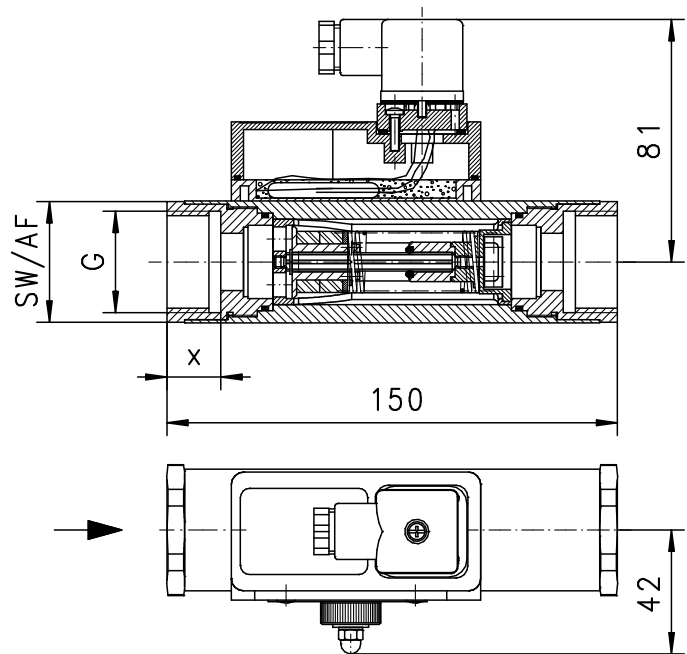
	G	Type	PN bar	Qmax. recom. l/min oil 1-200mm ² /s	adjustable range		AF mm	X mm	weight kg
					l/min oil	1-200mm ² /s			
brass	G 1/4	HD1KV-008GM005	200	10	0.5 - 5		40	15	1.7
	G 3/8	HD1KV-010GM...	200	20	0.5 - 5	2 - 12	40	15	1.7
	G 1/2	HD1KV-015GM...	200	40	2 - 12	5 - 25	40	15	1.6
	G 3/4	HD1KV-020GM...	200	60	5 - 25	10 - 40	40	18	1.6
	G 1	HD1KV-025GM...	200	80	10 - 40	15 - 60	40	18	1.5

Adjustable range is indicated for horizontally decreasing flow. Calibration with oil ISO VG64 - 80mm²/s.

- viscosity stability ±3%
- tolerance ±5% of full scale
- media temperature max. 120°C
- average pressure loss 0.5 bar at Qmax.
- hysteresis depending on switch value
value minimum 0.5 l/min.



Within the mechanical viscosity compensation the flow velocity in the piston area is increased sharply with the effect that the viscosity impact declines and the metering results stabilise even with changing viscosity ratings.



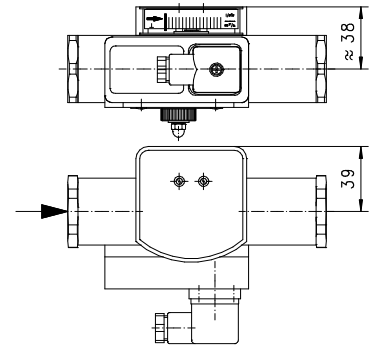
MATERIALS

- body brass Ms58 nickel plated
- metering unit brass Ms58
- spring stainless steel 1.4310
- magnet neodymium
- seal NBR
- switch head polycarbonate

○ HD1KVO- Flow Switch with lateral flow metering unit



adjustable range l/min H ₂ O	metering range l/min H ₂ O
0,5 - 5	0,5 - 6
2 - 12	1 - 15
5 - 25	4 - 28
10 - 40	10 - 45
15 - 60	10 - 65

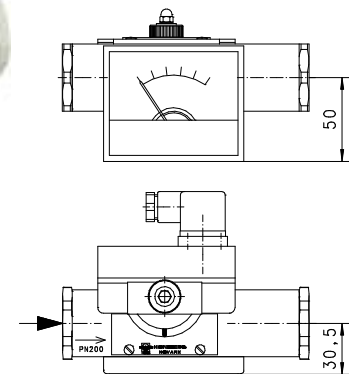


The metering range is indicated for horizontally increasing flow
protection class IP 60
additional weight 0.1kg

○ HD1KVZ- Flow Switch with front flow metering unit



adjustable range l/min H ₂ O	metering range l/min H ₂ O
0,5 - 5	0,5 - 6
2 - 12	2 - 16
5 - 25	5 - 28
10 - 40	10 - 45
15 - 60	10 - 70



The metering range is indicated for horizontally increasing flow
media temperature max. 70°C
protection class IP 40
additional weight 0.1kg

EXAMPLES FOR FURTHER OPTIONS



switch head metal or flat switch head plastic
switch head ATEX



Flex-K-HD1KV
switch- or frequency output
0..10V or 4..20mA
PNP, NPN



omni-HD1KV
2xNPN and PNP switch point
4(0)..20mA output
graphical LCD display
with flashing LED, program ring

All technical changes reserved

●BASIC Standard ○BASIC Programme option □VARIO Special option ⊕ PLUS Accessories ✗ not recommendable