



- * can be combined with sensors with 4..20mA signal and DIN 43650-A plug
- * display with weighing factor possible, directly showing physical parameters
- * freely selectable decimal point

APPLICATION

The display is structured as a local read out. It shows all physical parameters (e.g. pressure, flow, temperature, level, distance) which are processed as a 4-20mA signal. The easily readable display can be adjusted to any metering parameter.

TERMINAL ASSIGNMENT

The plug pins 1 and 2 are used.

TECHNICAL DATA

input	4..20 mA, two-wire connection
voltage supply	from the loop current
display	10 mm LCD
range	-1999 / 9999, freely scalable
decimal point	freely scalable
accuracy	± 0.2 % ±1 Digit
measuring rate	5 measurements / s
electrically isolated	switching output, open collector
protection class	from the front IP 65
current consumption	0.1mA
connection	plug DIN 43650-A
short-circuit proof	yes
reverse polarity proof	yes
operating temperature	0..50 °C
materials	ABS, PC
weight	0.08kg

OPERATION

3 keys can be operated below the front cap:

Mode Key 1 : This leads to the various parameter blocks. Similarly, confirm each change with Key 1.

Change keys 2 and 3 : With these keys you change the values or settings in the relevant mode.

The various parameters displayed by Mode Key 1 are:

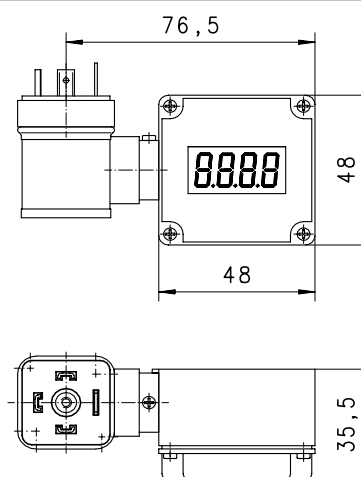
- dP** = Decimal point
- An4** = Indication at 4 mA
- An20** = Indication at 20 mA
- L1** = Limit
 - 0** = Exceeding and undercutting of range permissible.
 - 1** = Exceeding and undercutting of range impermissible. **FE1** and **FE2** are output as error messages.
- FILt** = **0** = No filter
 - 1** = Filter 1 active. Senses interference spikes, how they can occur during contactor switching. Additional display delay of 0.5 s is active.
 - 2** = Filter 2 active. Senses instability in the last figure of the display. Essential to activate with selected display range > 2000 digits. Additional display delay of 1 s is activated.

If Key 1 is reactivated subsequent to initial triggering the system returns to basic display.

MOUNTING

The block plug DIN 43650-A is installed between your sensor and the block plug (Pins 1 and 2 are used).

DIMENSION



All technical changes reserved

●BASIC Standard ○BASIC Programme option □VARIO Special option ⊕ PLUS Accessories

~~X~~ not recommendable