

Voltage	220 Vac
Diaphragm/Gasket	NBR
Temperature range	-5°C to +80°C (Standard)
Max. cycle rate	100/min (diaphragm type)
Max. cycle rate	60/min (piston type)
Protection	IP65 DIN 40050
Mechanical life	10 ⁶ operations
Max. current	3A (5A / 125Vac)
Fixed hysteresis	max. 8% of set-point
Knob accuracy - average value	±10% set-point model PSK100/PSK10
Knob accuracy - average value	±8% set-point model PSK360
Body	Black, Silver, Gold, Yellow anodized aluminium
Adjusting knob	Aluminium
Graduated scale	Scotch laser film
Identification scale	Silk-screen printed aluminium - 1mm thick
Set-point fastening screw	Stainless steel
Base / Connector	PA (+G)
Mounting	G 1/4" female or 4 holes CETOP

IP 65 electric protection

Din 40050 Connector

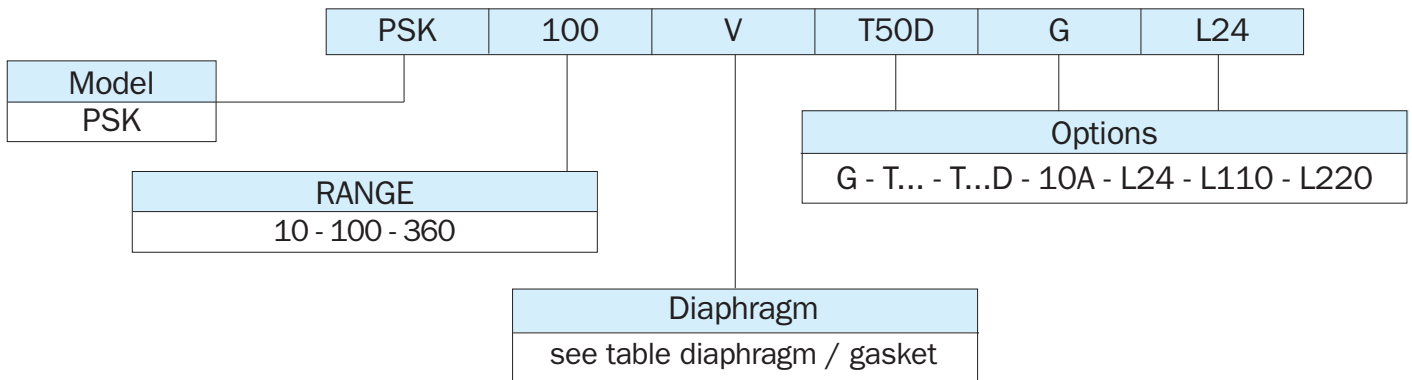


IP 67 electric protection

M12 Connector



HOW TO ORDER



ORDERING INFORMATION

Diaphragm	-	NBR (standard)	-5°C to +90°C
	NT	HNBR	-25°C to +140°C
	V	FKM	-5°C to +90°C
Options	G	Gold-plated contacts for low current	
	T...	Set-point adjustment rising at the required value	
	T...D	Set-point adjustment falling at the required value	
	10A	Microswitch for 10 A	
	L24	Connector with LED 24 V	
	L110	Connector with LED 110 V	
L220	Connector with LED 220 V		

IN COMPLIANCE WITH 2004/108 CE RULES EMC N° 147E/96 REPORT.

GENERAL SPECIFICATIONS

MODEL	ADJUSTMENT RELATIVE PRESSURE RANGE bar	DIMENSIONS mm					TOLERANCE AT 25°C bar	MAX STATIC PRESSURE bar	EXECUTION
		A	B	C	D	E			
PSK 10	1 - 10 bar	74	40	47	12	G 1/4" female	±0.4% set-point	30 bar	NBR diaphragm
PSK 100	10 - 100 bar	77	40	47	12		±4% set-point	300 bar	NBR diaphragm
PSK 360	100 - 360 bar	90	40	47	12		±7% set-point	600 bar	Piston