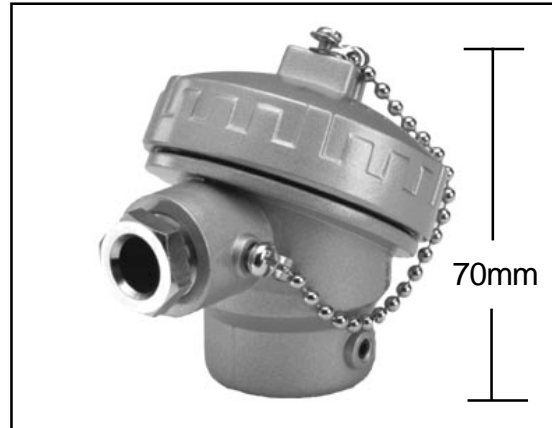


**Terminal Head - aluminium****KNS****FEATURES**

- This die-cast terminal head has a 1/8" BSP thread which makes it ideal for use with our Type MFS or RFS level switches.

See our Level Switch page at:

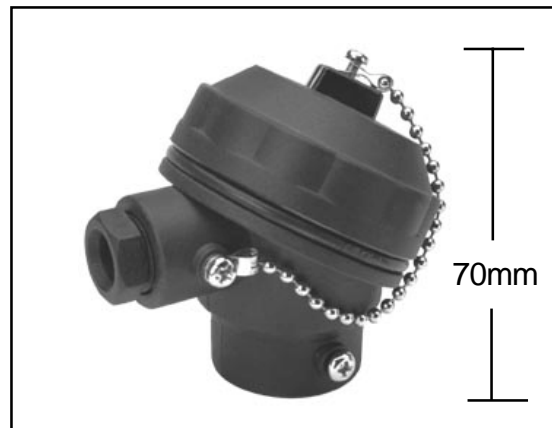
[www.pvl.co.uk/level.htm](http://www.pvl.co.uk/level.htm)



Technical data			
Cover	Screw type with chain	Max. Temperature	170°C
Process Entry	1/8" BSP	Terminal Block	4 way
Cable Entry	M16 x 1.5mm + gland	IP Rating	IP67
Material	Cast aluminium/		

**Terminal Head - plastic****TH2****DataFax - 3504****FEATURES**

- This plastic terminal head has a 1/4" BSP thread which makes it ideal for use with our level switches types MFS21-E & MFS21-K which can be seen on our [DataFax 1505](#)



Technical data			
Cover	Screw type with chain	Terminal Block	2 way
Process Entry	1/4" BSP	IP Rating	IP67
Material	Bakelite		

**PRESSURE-VACUUM-LEVEL LTD**

Unit 9, Lexden Lodge Industrial Estate, Jarvis Brook,  
Crowborough, East Sussex, TN6 2NQ U.K.

Tel: +44(0)1892 66 44 99 Fax: +44(0)1892 66 36 90

Web: [www.pvl.co.uk](http://www.pvl.co.uk) Email: [info@pvl.co.uk](mailto:info@pvl.co.uk)

**PVL**  
*Switched on to Industry*