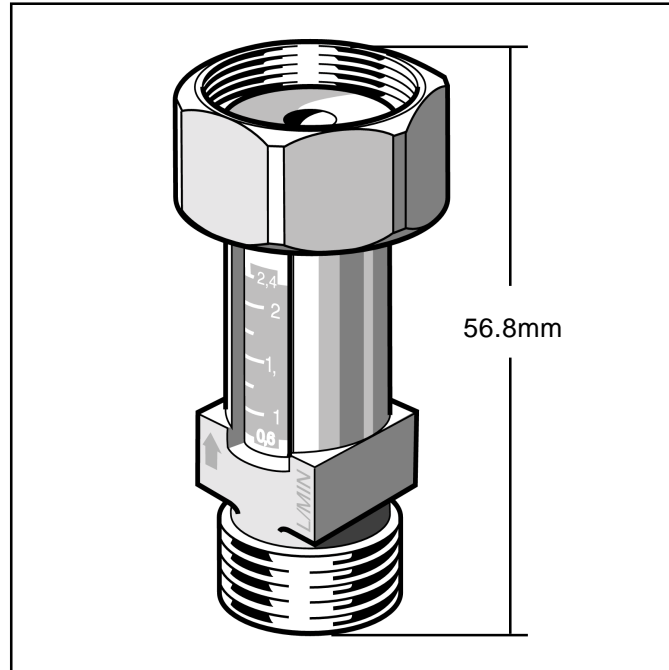


Flow Indicator with scale**TYPE OD****FEATURES**

- Integral flow indicator & scale
- Brass housing
- Plastic sight glass
- Ranges from 0.6 to 8 l/min
- Temperatures up to 100°C max
- Max pressure 10 bar
- 3/4" BSP male/female thread
- EPDM Seals

**Technical data**

Model	OD 20 MIA
Thread	3/4" BSP M/F
Max Pressure	10 bar
Max Temperature	100 degC
Ranges l/min	0.6 - 2.4
	1 - 4
	2 - 8

PRESSURE-VACUUM-LEVEL LTD

Unit 9, Lexden Lodge Industrial Estate, Jarvis Brook,
Crowborough, East Sussex, TN6 2NQ U.K.

Tel: +44(0)1892 66 44 99 Fax: +44(0)1892 66 36 90

Web: www.pvl.co.uk Email: info@pvl.co.uk

