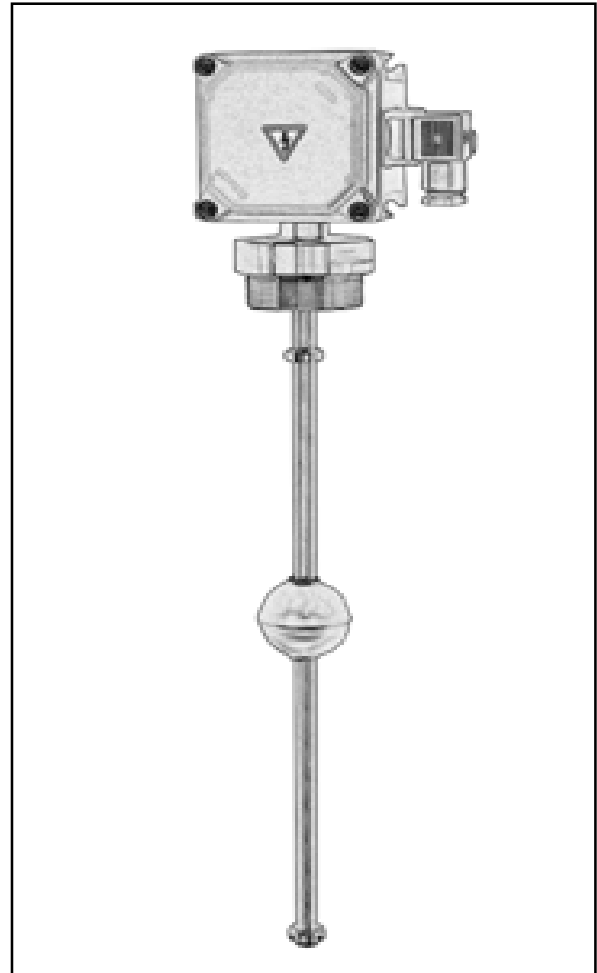


Level switch - continuous output**SL****FEATURES**

- 4 - 20 mA output
- Standard or high linearity
- BSP or Flange fitting
- Brass or s/steel construction
- Din plug or terminal head
- Up to 2500mm length
- Model SL1 - internal sensors 15mm apart
- Model SL2 - internal sensors 10mm apart.

OPTIONS

- Digital displays IVD9; IVD12 or IVD13
- Optional 3 x adjustable alarms
- EExd II CT6 -20 to +40°C

**Technical data**

Supply voltage	10 - 30 Vdc
Max. viscosity	150 cSt
Max. temperature	80°C
Min. temperature	-10°C
Max. pressure	10 bar
Protection	IP65 EN60529
Output	4 - 20mA

PRESSURE-VACUUM-LEVEL LTD

Unit 9, Lexden Lodge Industrial Estate, Jarvis Brook,
Crowborough, East Sussex, TN6 2NQ U.K.

Tel: +44(0)1892 66 44 99 Fax: +44(0)1892 66 36 90

Web: www.pvl.co.uk Email: info@pvl.co.uk

