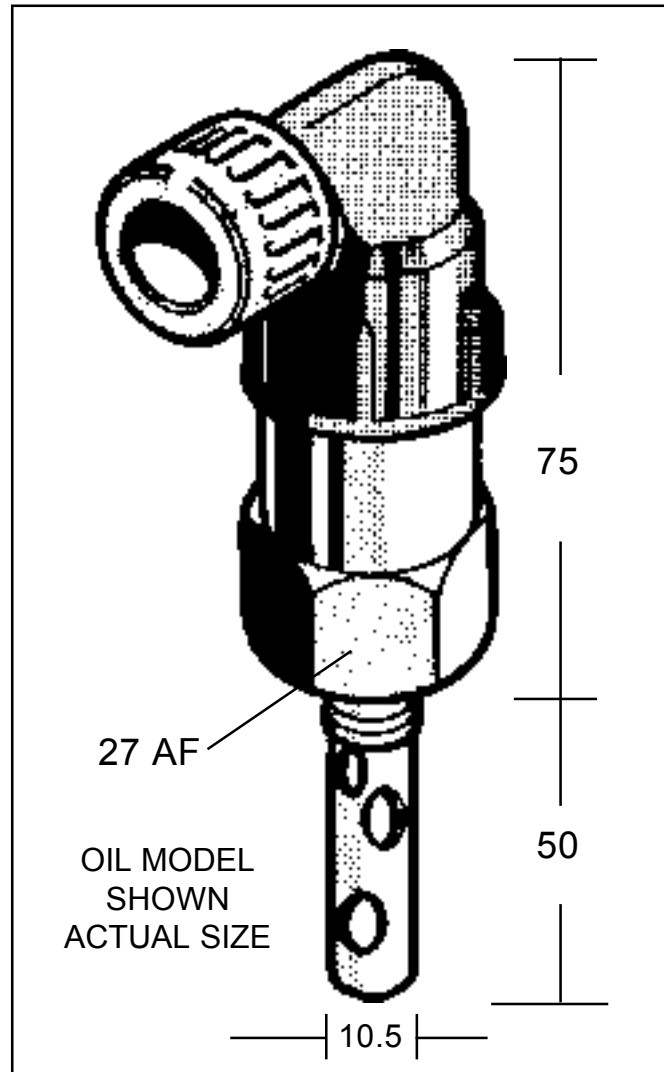


Capacitance level probe**BEDIA****FEATURES**

- Models for oil and water
- Self contained electronics
- Self testing function
- 9 - 36Vdc supply range
- No moving parts
- Choice of threads
- IP67 with plug connector

ACCESSORIES

- Plug connection M27 x 1 straight taper bayonet 16 S
- Plug connection M27 x 1 90° or Type 90° bayonet 16 S
- Screw-in Adapter
- Braze-in Adapter

**Technical Data**

Sensing point	20mm ±6mm from sensor tip	Maximum pressure	Up to 25 bar/362psi
Medium temperature	Water -30°C to + 110°C Oil -30°C to + 125°C	Ambient temp. range	-30°C to 100°C
Protection	IP67	Mounting attitude	Optional
Housing	Brass, CuZn39Pb3	Weight	Approx. 125g

PRESSURE-VACUUM-LEVEL LTD

Unit 9, Lexden Lodge Industrial Estate, Jarvis Brook,
Crowborough, East Sussex, TN6 2NQ U.K.

Tel: +44(0)1892 66 44 99 Fax: +44(0)1892 66 36 90

Web: www.pvl.co.uk Email: info@pvl.co.uk

