

Level switch - 316 stainless steel**RFS-4-2****FEATURES**

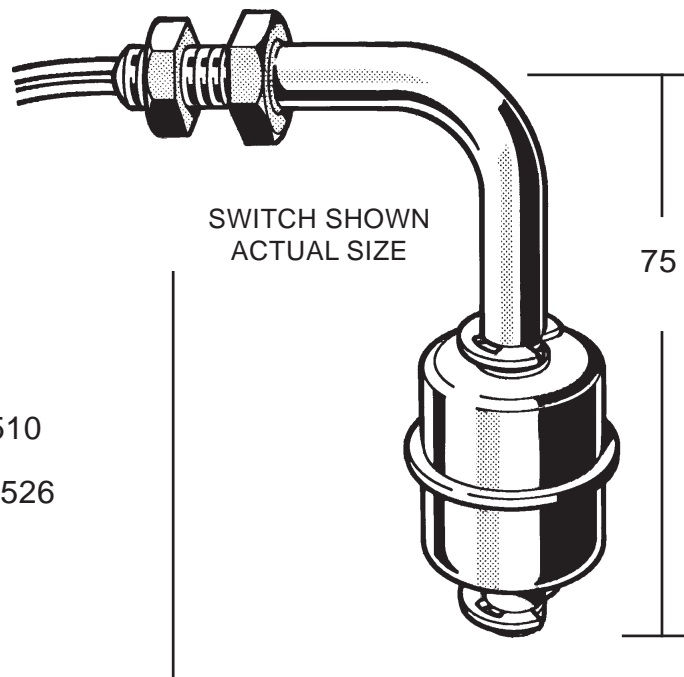
- All 316 grade stainless steel
- Pressures up to 10 bar
- 120°C maximum temperature
- N/O or N/C contact
- 1/8" BSP Thread with nut
- 220Vac/50VA

OPTIONS

- Top entry version - DataFax 1510
- Multi-level version - DataFax 1526



RIKO
European Distributor

**REVERSIBLE FLOAT**

To change from a N/O to a N/C contact, remove the circlip and reverse the float on the stem.

REED SWITCH PROTECTION

When a reed-switch is used on an inductive load e.g. a relay - the current surge which flows back to the reed-switch (back EMF) can cause the reed switch to fail.

Fitting a suppressor either "in-line" or "across" the relay coil can help protect the reed-switch.

PRICES

See our latest prices at www.epvl.co.uk

Maximum voltage	240Vac	Float material	316 stainless steel
Reed switch rating	50VA	Stem material	316 stainless steel
Maximum current	0.5A (resistive)	Float dimensions	28dia x 27mm
Maximum pressure & temp	10 bar & 120°C	Float buoyancy	0.75SG
Thread	1/8" BSP x 15mm L	Circlip material	316 stainless steel

PRESSURE-VACUUM-LEVEL LTD

Unit 9, Lexden Lodge Industrial Estate, Jarvis Brook,
Crowborough, East Sussex, TN6 2NQ U.K.

Tel: +44(0)1892 66 44 99 Fax: +44(0)1892 66 36 90

Web: www.pvl.co.uk Email: info@pvl.co.uk



PVL
Switched on to Industry