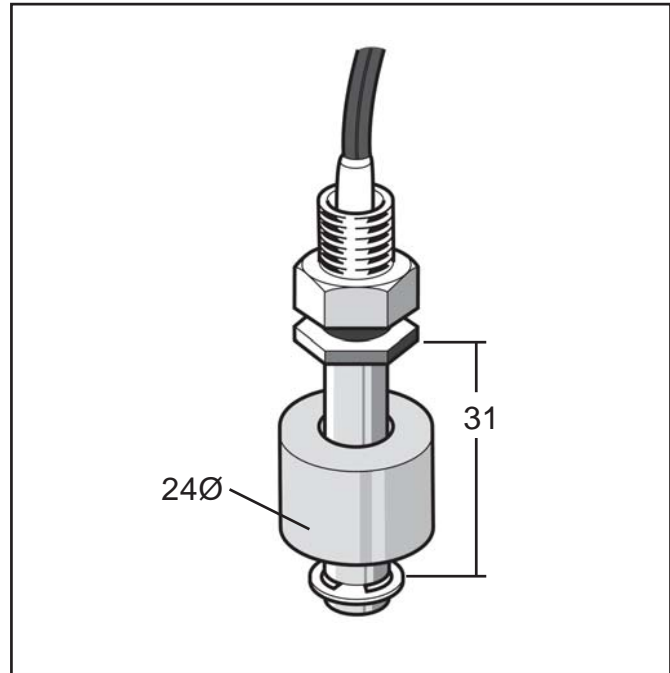


Level Switch - top entry**MFS25-J****FEATURES**

- Polypropylene float & stem
- Stainless steel or P/P circlip
- Maximum pressure 3 bar
- Close on fall contact
- Maximum temperature 80°C
- 240Vac/66VA, 300mm cable

**PRICES**See our latest prices at www.epvl.co.uk

Maximum voltage	240Vac	Float material	Polypropylene
Reed switch rating	66VA	Stem material	Polypropylene
Maximum current	0.5A (resistive)	Float details	24dia x 16.5
Maximum fluid pressure	3 bar	Float SG	0.75
Thread + O-ring	M8 x 10mm long	Circlip material	S/Steel (P/P optional)

PRESSURE-VACUUM-LEVEL LTD

Unit 9, Lexden Lodge Industrial Estate, Jarvis Brook, Crowborough, East Sussex, TN6 2NQ U.K.

Tel: +44(0)1892 66 44 99 Fax: +44(0)1892 66 36 90

Web: www.pvl.co.uk Email: info@pvl.co.uk