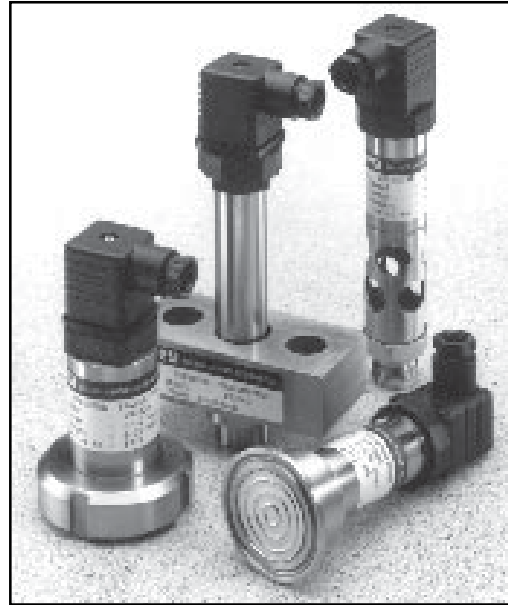
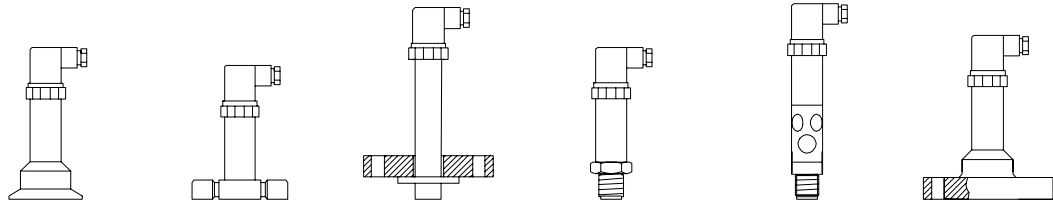


Pressure transmitters**PR 38xx****TRANSMITTERS WITH BARRIER SEALS FOR PROCESS APPLICATIONS**

- HIGH TEMPERATURE / VIBRATION USE
- HYGIENIC MODELS FOR FOOD INDUSTRY
- REMOTE CAPILLARY SENSING MODELS
- SUPPLY VOLTAGE 13 - 36Vdc
- 4-20mA TWO-WIRE OUTPUT
- ZERO + SPAN ADJUSTMENT ON-SITE
- RANGES 0-250mbar to 0-1000bar



The PR3800 Series Pressure Transmitters offer a range of barrier seals for applications where the process media is unsuitable for direct contact with the transducer diaphragm. Seals are available in a variety of forms and materials for particular purposes. They may be directly attached to the process connection or remotely via a stainless steel capillary.



	Pipe Clamp	Hygienic	Homogeniser	Flush Diaphragm	High Temperature	Flange
Model No:	PR 3800	PR 3820	PR 3840	PR 3850	PR 3860	PR 3880
Process Connections	DN40, DN50	DIN - to DIN 11851 IDF/ISS to BS 4825 RJT to BS1864	Clamp Fixing	1/2" BSP Male to BS21	1/2" BSP Male to BS21	ASA 1" 150lb ASA 2" 150lb DIN DN25, 50
Pressure Ranges	0-250mbar to 0-400bar	0-250mbar to 0-400bar	0-60bar to 0-1000bar	0-10bar to 0-400bar	0-6bar to 0-400bar	0-250mbar to 0-400bar
Application	chemical industry aggressive, highly viscous media, paper + pulp industry	food processing, hygienic for use with milk, beer or other biologically active media	food processing, homogenisers	food process and general industrial use	high temperature applications, media temperatures to 300°C	Petro-chemi- cal, pure wate, general industrial use

See [DataFax 1042-B](#) (Pages 3 & 4) For full Specifications & Dimensions

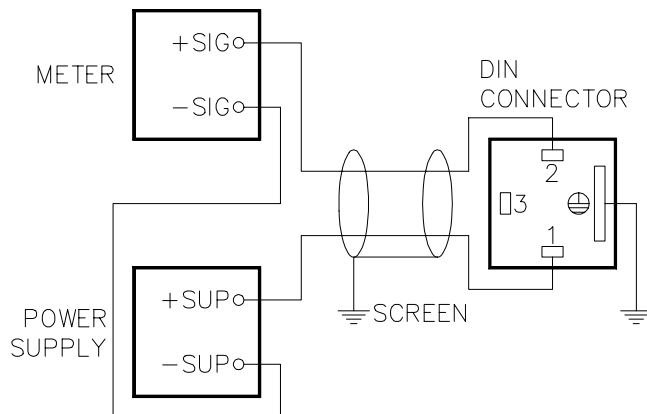
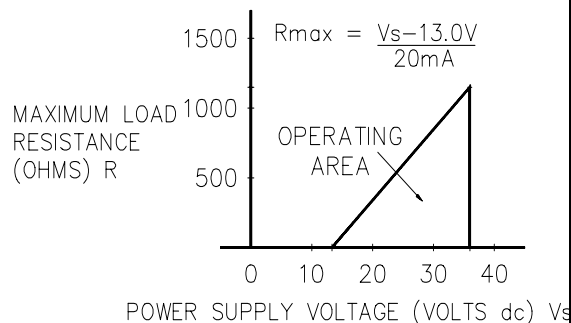
PRESSURE-VACUUM-LEVEL LTD

Unit 9, Lexden Lodge Industrial Estate, Jarvis Brook,
Crowborough, East Sussex, TN6 2NQ U.K.

Tel: +44(0)1892 66 44 99 Fax: +44(0)1892 66 36 90

Web: www.pvl.co.uk Email: info@pvl.co.uk



Pressure transmitter**PR 38xx****TRANSMITTERS WITH BARRIER SEALS FOR PROCESS APPLICATIONS****WIRING DETAILS****TRANSMITTER WIRING DIAGRAM****LOAD DRIVING CHART**

See [DataFax 1042-B](#)
(Pages 3 & 4) For full
Specifications &
Dimensions

ORDERING INFORMATION

STATE MODEL NUMBER, PRESSURE RANGE AND PROCESS CONNECTION REQUIRED:-
ie: PR3800 / 0-10bar / 50 IDF / TEFLON

Model No:	Description
PR 3800	pipe clamp 0-250mbar to 0-400bar
PR 3820	Hygenic 0-250mbar to 0-400bar
PR 3840	Homogeniser 0-60 to 0-1000bar
PR 3850	Flush Diaphragm 0-6 to 0-400bar
PR 3860	High Temperature 0-10 to 0-400bar
PR 3880	Flange 0-250mbar to 0-400bar

PRESSURE RANGES	
-1 to 0bar Vac	0 - 25 bar
0 - 250 mbar	0 - 40 bar
0 - 500 mbar	0 - 60 bar
0 - 1 bar	0 - 100 bar
0 - 1.6 bar	0 - 160 bar
0 - 2.5 bar	0 - 250 bar
0 - 4 bar	0 - 400 bar
0 - 6 bar	0 - 600 bar
0 - 10 bar	0 - 1000 bar
0 - 16 bar	

PRESSURE-VACUUM-LEVEL LTD

Unit 9, Lexden Lodge Industrial Estate, Jarvis Brook,
Crowborough, East Sussex, TN6 2NQ U.K.

Tel: +44(0)1892 66 44 99 Fax: +44(0)1892 66 36 90

Web: www.pvl.co.uk Email: info@pvl.co.uk

