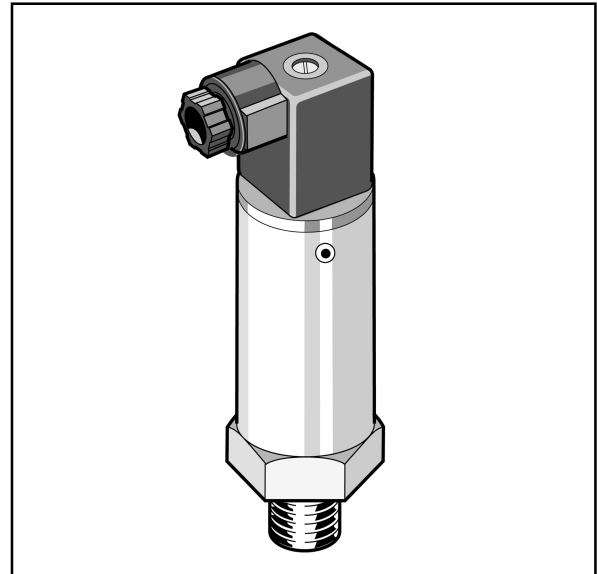


Pressure Transmitter**TYPE: PR3110****FEATURES**

- Pressure ranges: 0 to +800 mBarG
- Vacuum ranges: 0 to -800 mBarG
- 4 - 20 mA Output
- Zero and Span adjustable
- Wide operating temperature range
- Outstanding performance and stability
- CE Approved

OPTIONS

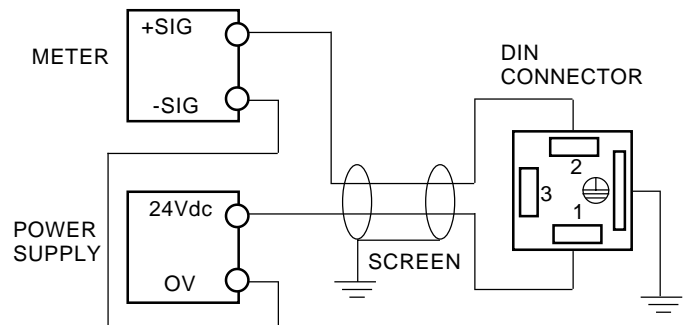
- EEX ia II CT4 models available
- Absolute Range Available

**Pressure ranges**

0 to +100 mbar to 0 to +800 mbar

Vacuum ranges

0 to -100 mbar to 0 to -800 mbar

TRANSMITTER WIRING DIAGRAM

Technical data	
Pressure ranges	0 to +800 mbarG
Vacuum ranges	0 to -800 mbarG
Connection	1/2" BSP male
Protection	IP65
Output	4-20 mA
Supply voltage	13 - 36Vdc
Adjustment	±10%
Operating temperature	-20 to +70°C

PRESSURE-VACUUM-LEVEL LTD

Unit 9, Lexden Lodge Industrial Estate, Jarvis Brook, Crowborough, East Sussex, TN6 2NQ U.K.

Tel: +44(0)1892 66 44 99 Fax: +44(0)1892 66 36 90

Web: www.pvl.co.uk Email: info@pvl.co.uk

PVL
Switched on to Industry