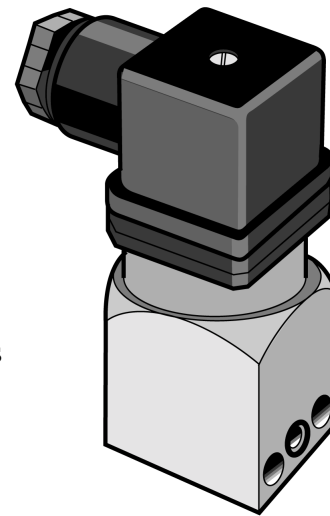
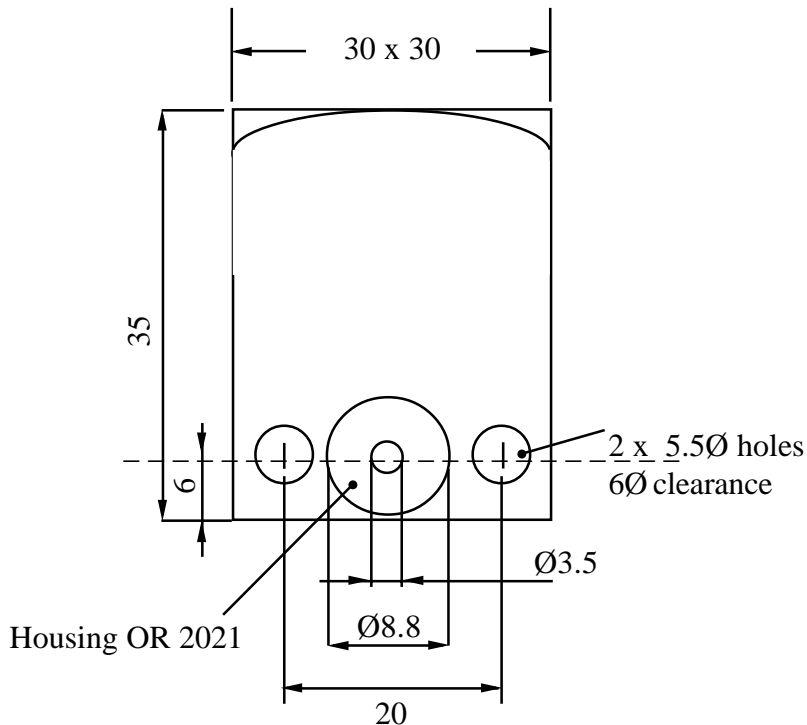


Pressure switch for manifolds CETOP PSM..B

This pressure switch has been specifically design for use on pneumatic systems where a space dictates that a manifold connection is preferred. It is easily fixed to a suitable manifold by using 2 x M5 x 40mm long screws. The pressure setting is user adjustable between 0.2 and 2 bar or 1 - 10 bar and both can withstand up to 30 bar.



See [DataFax 1029](#) for hydraulic versions up to 300 bar

Switch electrical rating	250Vac/6A (res) 2A (ind)	Diaphragm material	Nitrile (Standard) Viton optional
Protection	IP65 (Pg9 gland standard)	Body material	Aluminium - Blue anodised
Pressure adjustment ranges	0.2 to 2 & 1 to 10 bar	Mounting	2 x M5 x 40 screws
Maximum pressure	Up to 30 bar	Temperature range	-5 to + 90degC (Nitrile)
Hysteresis = 10%FS (Std)	Factory adjustable 10 - 30%	Weight	145 g

Type	Adjusting range (bar)	Tolerance at 25°C (bar)	Diaphragm
PSM2..B	0.2 ÷ 2	+/- 0.2	NBR (Standard)
PSM10..B	1 ÷ 10	+/- 0.4	NBR (Standard)

PRESSURE-VACUUM-LEVEL LTD

Unit 9, Lexden Lodge Industrial Estate, Jarvis Brook,
Crowborough, East Sussex, TN6 2NQ U.K.

Tel: +44(0)1892 66 44 99 Fax: +44(0)1892 66 36 90

Web: www.pvl.co.uk Email: info@pvl.co.uk

