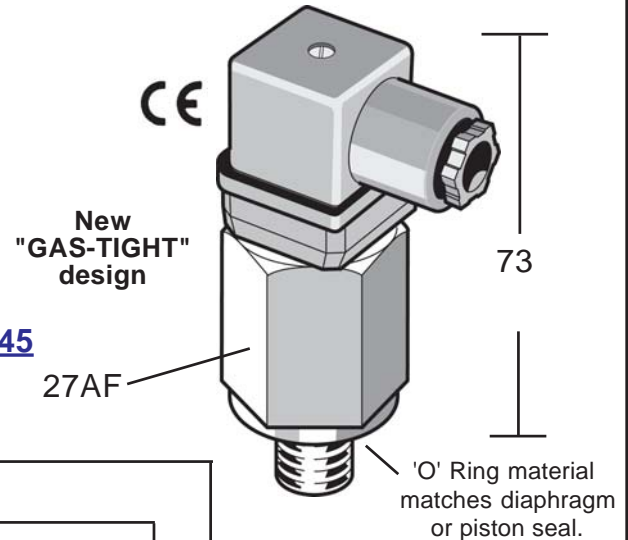


**Pressure switch with DIN Plug****PSM & PSP**

Diaphragm & Piston type pressure switches with adjustable differential<sup>1</sup>.

- 0.2 - 300 bar adjustment range
- Over pressures up to 600 bar
- Standard DIN Plug (IP 65)
- Change-over contacts (SPDT)
- Suitable for gases and liquids
- Integral 'O' ring high pressure seal
- Stainless steel & vacuum option
- Optional snubber
- Vacuum switch option - see [DataFax 1045](#)



Example

PSM	10	N	-	1/4P	STL	-	-
-----	----	---	---	------	-----	---	---

Model

Adj. range

Diaphragm/Piston seal	
Nitrile (std) -5° to +90°C	N
Nitrile -40° to +140°C	T
Viton -5° to +90°C	V
Silicon -30° to +120°C	S
Neoprene -10° to +90°C	O
EPDM -20° to 110°C	E
S/steel (PSM2 & 10 only)	I

Threads	
1/8 BSP	1/8P
1/8 NPT	18NPT
1/4 BSP(std)	1/4P
M10 x 1	M10
M12 x 1.5	M12

Contact option	
Silver (std)	-
Gold	G

Body material	
Steel-zinc plated (std)	STL
Brass <sup>(2)</sup> (max 80bar)	BRS
Stainless steel, 303 <sup>(3)</sup>	303
Stainless steel, 316 <sup>(3)</sup>	316

Special options	
No special option (std)	-
De-greased <sup>(1)</sup>	SG
Tested for gas	TG
Snubber	SM

Cable glands	
Pg9 (std)	-
Pg11	11

**STANDARD SWITCHES**

Diaphragm/Piston seal = Nitrile (NBR)  
 Body = Steel, zinc plated  
 Thread = 1/4" BSP (parallel)  
 Cable gland = Pg9

**FREE ADJUSTMENT**

Adjustment is free of charge, please advise Rising and/or Falling pressure.

To adjust these switches yourselves, please see [DataFax 1023A](#)

(1) De-greased for use with Oxygen up to 200 bar - PSM 2 to PSM 100 only

(2) Brass maximum pressure = 80 bar

(3) Contact us for s/steel maximum pressures

Model	Adj range Bar	Tolerance Bar	Maximum pressure <sup>(3)</sup>	Diaphragm or Piston	Body material
PSM2*	0.2 - 2	± 0.2	300 bar <sup>(2)</sup>	Diaphragm	Steel
PSM10*	1 - 10	± 0.4	300 bar <sup>(2)</sup>		
PSM50	10 - 50	± 2.0	300 bar		
PSM100	10 - 100	± 3.0	300 bar		
PSP150	30 - 150	± 5.0	300 bar	Piston	
PSP300	50 - 300	± 15.0	600 bar		

NOTE: The differential (hysteresis) can only be adjusted by PVL, please advise your requirements

(2) Brass bodies have a maximum operating pressure of 80bar, all switches are available in s/steel

Switch electrical rating	250Vac/5A (res) 2A (ind)	Diaphragm/Piston material	Nitrile (Standard) see options
	110Vac/7A (res) 3A (ind)	Body material	Brass, Steel or S/Steel
	24Vdc/2A (res) 0.5A (ind)	Thread	1/4" BSP (Standard)
	48Vdc/1A (res) 0.5A (ind)	Pressure adjustment range	0.2 to 300 bar
Protection	IP65 (Pg9 gland standard)	Hysteresis = 10%FS (Std)	Factory adjustable 10 - 30%

**PRESSURE-VACUUM-LEVEL LTD**

Unit 9, Lexden Lodge Industrial Estate, Jarvis Brook,  
 Crowborough, East Sussex, TN6 2NQ U.K.

Tel: +44(0)1892 66 44 99 Fax: +44(0)1892 66 36 90

Web: [www.pvl.co.uk](http://www.pvl.co.uk) Email: [info@pvl.co.uk](mailto:info@pvl.co.uk)

