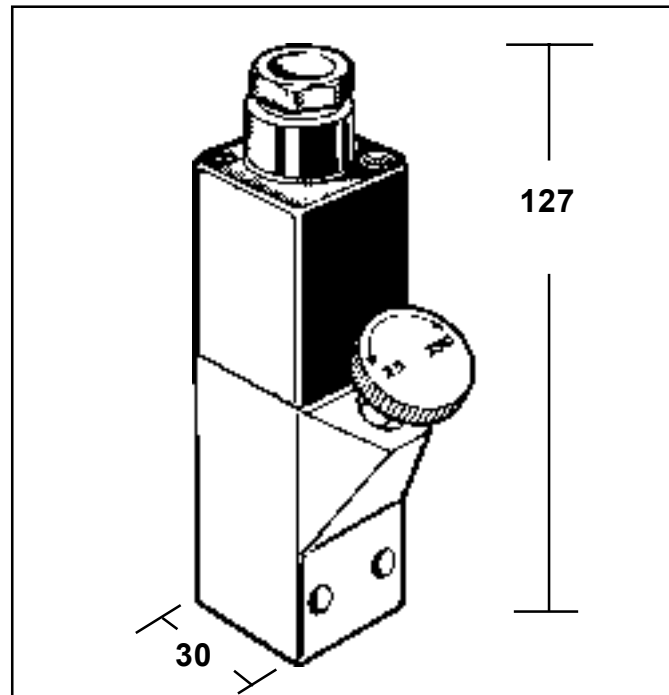


Pressure Switch**0159**

- Easy to adjust with 1" dia knob
- 0.2 to 400 bar range
- Upto 600 bar over-pressure
- Ideal for heavy duty hydraulics
- Change-over contacts
- 1/4" BSP female thread
- Rugged construction
- **Explosion proof version available**

(See DataFax 1016)



Switch electrical rating	220Vac/0.2A res /1A ind	Maximum operations	200/minute
Protection	IP65	Mechanical life	1,000,000 operations (at 50 bar)
Temperature range ¹	-30°C to +100°C	Body material	Aluminium (AlMg Si 1 F 28)
Hysteresis	10 - 30% - Not adjustable (Phone for extra information)		

¹ According to diaphragm or piston seal material

?	Insert Number of Diaphragm or Piston seal material	1 = NBR (Nitrile)	Hydraulic oil, engine oil, heating oil, turpentine, air.
		2 = EPDM ³	Water, hydrogen, seawater, acetylene, ozone, oxygen ² , brakefluid.
		3 = FKM (Viton)	Hydraulic fluid (i.e. HFA, HFB, HFC & HFD) gasoline

² Please call PVL with regards to use with Oxygen³ Ethylenepropylene

Diaphragm type Model 0159	Thread Type	Adjustment range - bar	Tolerance in bar at room temp.	Max pressure
0159 426 14 ? 001	1/4" BSP	0.2 - 2 bar	± 0.2 - 0.3 bar	200 bar
0159 427 14 ? 001	1/4" BSP	0.5 - 5 bar	± 0.2 - 0.5 bar	
0159 428 14 ? 001	1/4" BSP	1 - 10 bar	± 5.0 bar	
0159 429 14 ? 001	1/4" BSP	2 - 20 bar	± 1.0 bar	
0159 430 14 ? 001	1/4" BSP	5 - 50 bar	± 3.0 bar	
0159 431 14 ? 001	1/4" BSP	10 - 100 bar	± 3.0 - 5.0 bar	
Piston Seal type (Switches with piston seals are not recommended for use with gases)				
0159 432 14 ? 001	1/4" BSP	10 - 100 bar	± 3.0 - 5.0 bar	600 bar
0159 433 14 ? 001	1/4" BSP	25 - 250 bar	± 5.0 - 7.0 bar	
0159 434 14 ? 001	1/4" BSP	40 - 400 bar	± 5.0 - 7.0 bar	

PRESSURE-VACUUM-LEVEL LTD

Unit 9, Lexden Lodge Industrial Estate, Jarvis Brook, Crowborough, East Sussex, TN6 2NQ U.K.

Tel: +44(0)1892 66 44 99 Fax: +44(0)1892 66 36 90

See the Cat at: www.pvl.co.uk