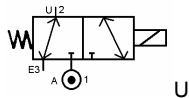


Media: air – water – light oil
 Pressure range: 0 to 10 bar max
 Media temperature: 100° C max
 Ambient temperature: -10° to +50° C max
 Media viscosity: 40 centistokes max
 Opening or Closing time: 50 mSec Max
 Mounting: any position



3/2 Brass UNIVERSAL DIRECT OPERATED TYPE 306380



PRESSURE

Ø Port	Ø seat (mm)	Cv L/min	Pressure (bar)		Weight Eexd	Seals	Media Temp. Max °C	Part Number	List Price
			Min ΔP	Max ΔP					
1/4 BSP	6	5	0	10	2200g	NBR FKM	60 100	30638010 + 0142 + voltage + option 30638020 + 0142 + voltage + option	£134.17
1/4 BSP 3/8 BSP 1/2 BSP	9	16	0	10	2500g	NBR FKM	60 100	30938010 + port + 2 + voltage + option 30938020 + port + 2 + voltage + option	£189.42

OPTIONS

Connector PG9 – DIN 43650 A	Explosion Proof Enclosure ATEX II 2 G/D EexdIICT6, IP65 85°C (Ambient T° from -20°C to +40°C)	Included
Epoxy Coating of Explosion Proof Enclosure		+£47.36
Manual override or manual reset for 306380	Explosion Proof Enclosure ATEX II 2 G/D EexdIICT6, IP65 85°C (Ambient T° from -20°C to +40°C)	+£22.55
NPT thread 1/4		+£126.28
Manual override for 309380	Explosion Proof Enclosure ATEX II 2 G/D EexdIICT6, IP65 85°C (Ambient T° from -20°C to +40°C)	+£15.78
NPT thread 3/8 and 1/2		+£52.61
Explosion Proof Enclosure ATEX II 2 G/D EexdIICT6, IP65 85°C (Ambient T° from -20°C to +40°C)		+£157.85

ELECTRICAL DATA

voltage (-10% + 15%) Continuous duty 100%	Coil Size	Power		Insulation class	Enclosure	Electrical connections
		Inrush	Holding			
~ 24 – 48 – 110 - 230 (50 or 60 Hz)	40/15	48 VA	24 VA	F 155°C	IP 65 with connector	3 spades DIN 43650 DIN 40050 VDE 0110
= 12 – 24 - 48		14 W				

CONSTRUCTION

Body: brass
 Tube and internal parts: stainless steel
 Seals and gaskets: NBR or FKM
 Moulded coil: resin

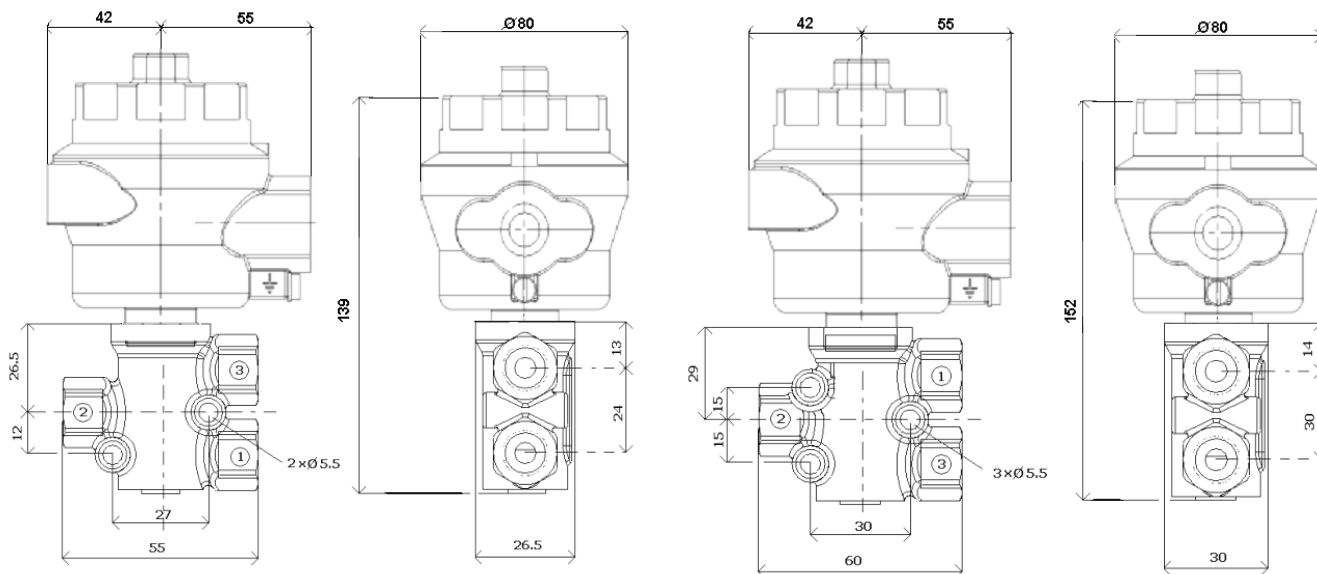
REPAIR KIT

Coil	40/15 + voltage
Complete plunger + O'ring + complete piston	KIT + valve part number

OVERALL DIMENSIONS

306380

309380



IP65 Dimensions
 306390
 Page 61