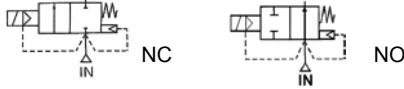
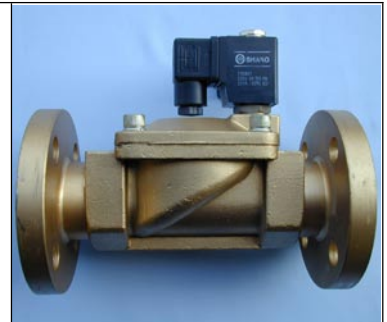


Media: air – water – gas – light oil
 Pressure range: 0.5 to 15 bar max
 Media temperature: 90° C max
 Ambient temp: -20° to +60° C max
 Media viscosity: 50 centistokes
 Mounting: coil upright
 Opening / Closing: 50 mSec Max

2/2 Brass Flanged

N/OPEN & N/CLOSED
 2 WAY SERVO ASSISTED

TYPE PU225F



PRESSURE

Ø Port	Ø Orifice (mm)	Flow Rate Cv Ltr/ min	Pressure Rating (bar)			Seals	Max Media Temp. °C	Part Number	List Price
			Min ΔP	Max ΔP	Max Working				
3/8 ANSI 150Lb	13	40.0	0.5	10	15	NBR FKM EPDM	90	PU22503F + voltage PU22503FV + voltage PU22503FE + voltage	£144.36 £155.14 £155.14
1/2 ANSI 150Lb	13	40.0	0.5	10	15	NBR FKM EPDM	90	PU22504F + voltage PU22504FV + voltage PU22504FE + voltage	£144.36 £155.14 £155.14
3/4 ANSI 150Lb	25	165.0	0.5	10	15	NBR FKM EPDM	90	PU22506F + voltage PU22506FV + voltage PU22506FE + voltage	£193.73 £199.64 £199.64
1 ANSI 150Lb	25	165.0	0.5	10	15	NBR FKM EPDM	90	PU22508F + voltage PU22508FV + voltage PU22508FE + voltage	£193.73 £199.64 £199.64
1 1/4 ANSI 150Lb	40	450	0.5	10	15	NBR FKM EPDM	90	PU22512F + voltage PU22512FV + voltage PU22512FE + voltage	£298.27 £311.46 £311.46
1 1/2 ANSI 150Lb	40	450	0.5	10	15	NBR FKM EPDM	90	PU22514F + voltage PU22514FV + voltage PU22514FE + voltage	£298.27 £311.46 £311.46

OPTIONS

Connector PG9 – DIN 43650 A IP65 Coil Normally Open version Explosion Proof Coil: EExmIIT4 ATEX IIG IP65 T 130°C (Optional T6 T 85°C) Explosion Proof Enclosure: EExdIICT6 ATEX II G/D PN16 flange	Included Included +£27.30 +£80.38 TBA +10%
---	---

ELECTRICAL DATA

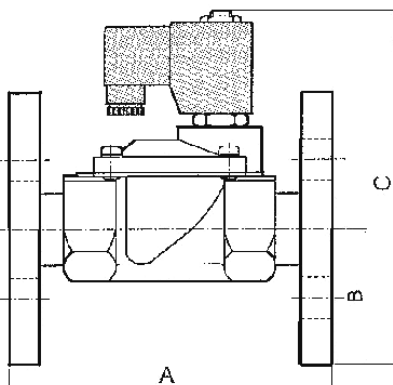
Voltage (-10% + 10%) Continuous duty 100%	Coil Size	Power		Insulation class	Enclosure	Electrical connections
		Inrush	Holding			
~ 24 - 48 - 110 - 230 - 380 (50 or 60 Hz)	22003	23VA	15VA	H 180°C	IP 65 with connector	3 spades DIN 43650A DIN 40050 VDE 0110
= 12 - 24 - 48 (DC)		15 Watts				

CONSTRUCTION

Body: Brass
 Tube and internal parts: Stainless steel
 Seals and gaskets: NBR (Optional EPDM & FKM)
 Moulded coil: Resin

REPAIR KIT

Diaphragm seals	225 + port + material
Coil	22003 + voltage
Complete plunger + O' rings (Normally Closed)	225320VNC + seal material
Complete plunger + O' rings (Normally Open)	(DC - 0543-95.6-00) or (AC - 0543-83.6-00)



Model	PU225 03F	PU225 04F	PU225 06F	PU225 08F	PU225 12F	PU225 14F
Flange	3/8 ANSI 150Lb	1/2 ANSI 150Lb	3/4 ANSI 150Lb	1 ANSI 150Lb	1 1/4 ANSI 150Lb	1 1/2 ANSI 150Lb
A	110.0	110.0	120.0	150.0	180.0	180.0
B	45.0	47.5	50.0	62.5	67.5	70.0
C	136.0	138.5	157.5	165.5	173.0	182.5
Kg	2.13	2.1	2.43	2.41	3.34	3.32