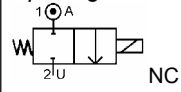


Media: air – water – gas – light oil  
 Pressure range: 0.5 to 15 bar max  
 Media temperature: -10°C +60° C max  
 Ambient temperature: -20° to +60° C  
 Media viscosity: 50 centistokes max  
 Mounting: coil upright  
 Weight: 300g  
 Opening / Closing time: 100 mSec Max



# 2/2 Brass

## N/CLOSED 2 WAY DIRECT ACTING

### TYPE 20740



#### PRESSURE

Ø Port	Ø Orifice (mm)	Flow Rate Cv Ltr/ min	Pressure Rating (bar)			Seals	Max Media Temp. °C	Part Number	List Price
			Min ΔP	Max ΔP Air	Max ΔP Water				
1/4 BSP	7	6	1	80	-	PTFE	60	20740 – 210141 + voltage	£179.80
	7	6	1	-	80	PTFE	60	20741 – 210141 + voltage	

#### OPTIONS

Connector PG9 – DIN 43650 A IP65 Coil Explosion proof enclosure: Protection II G/D EExdIICT6 ATEX NPT Thread	<b>Included</b> <b>£199.33</b> <b>+ £23.68</b>
---	--

#### ELECTRICAL DATA

Voltage (-10% + 15%) Continuous duty 100%	Coil Size	Power		Insulation class	Enclosure	Electrical connections
		Inrush	Holding			
~ 24 - 48 - 110 - 230 (50 or 60 Hz)	36	48VA	24VA	F 155°C	IP 65 with connector	3 spades DIN 43650 DIN 40050 VDE 0110
= 12 - 24 - 48 - 80 - 190 (DC)		14 - 20 Watts				

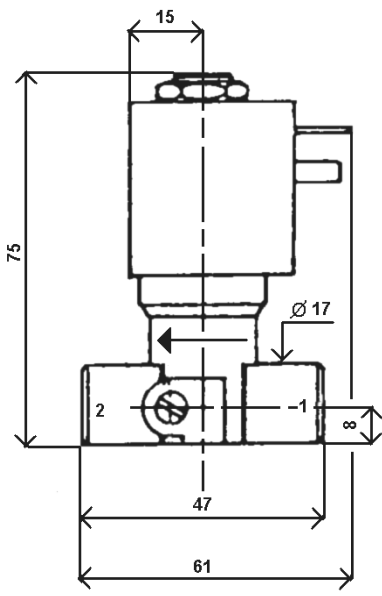
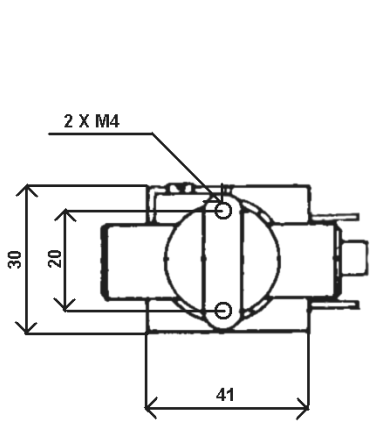
#### CONSTRUCTION

Body : Brass  
 Tube and internal parts : Stainless steel  
 Seals and gaskets: PTFE  
 Moulded coil: Resin

#### REPAIR KIT

Coil	36 + voltage
Complete plunger + O' rings	KIT + valve part number

#### OVERALL DIMENSIONS



1-100  
 Bar  
 212240  
 Page 16