

GENERAL CHARACTERISTICS

Mechanical Flow Regulator for liquids. The regulation is provided by a modification of the flow symmetry during a restriction of the free rubber chord diameter of the regulator element.

- * optional installation
- * no wear-parts
- * no additional power supply

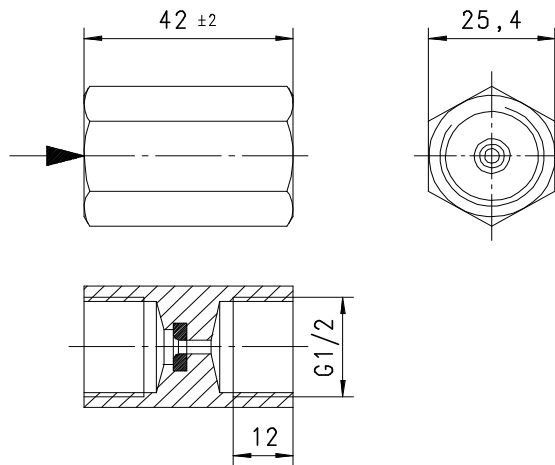
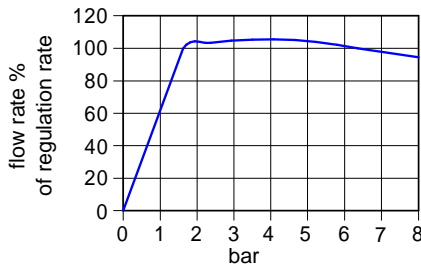
Female thread G1/2 brass



WP-015GM050

TECHNICAL DATA

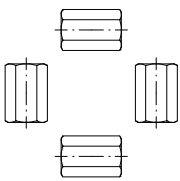
regulation rate 0.5 ; 1 ; 1.5 ; 2 ; 3,2 ; 4 ; 5 ; 7 ; 8 ; 10 ; 12 ; 15 ; 18 ; 20 l/min
 system pressure PN 16 bar
 differential pressure 1 - 10 bar
 tolerance ±10%
 media temperature max. 70°C
 storage temperature -25 to 100°C
 weight 0.2 kg



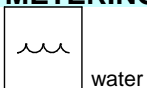
MATERIALS

body brass
 insert NBR

MOUNTING POSITION



METERING SUBSTANCES



NOMENCLATURE

WP-	015	G	M	005	basic type specification
	015				● nominal diameter DN 15 - G1/2
		G			● female thread
			M		● brass design
			K		□ stainless steel design
				005	● 0.5 l/min
				010	● 1.0 l/min
				015	● 1.5 l/min
				020	● 2 l/min
				032	● 3.2 l/min
				040	● 4 l/min
				050	● 5 l/min
				070	● 7 l/min
				080	● 8 l/min
				100	● 10 l/min
				120	● 12 l/min
				150	● 15 l/min
				180	● 18 l/min
				200	● 20 l/min

regulation rate H₂O

IMPORTANT FOR YOUR ORDER

- Please indicate metering substance and regulation quantity with your order.

All technical changes reserved

●BASIC Standard ○BASIC Programme option □VARIO Special option ⊕ PLUS Accessories ✗ not recommendable