

GENERAL CHARACTERISTICS

Mechanical Flow Regulator for liquids. The regulator consists of a perforated plastic housing and an integrated o-ring which is pressed into a plastic housing according to flow-proportional differential pressure.

- * optional installation
- * no wear-parts
- * no additional power supply

Female thread G1/2 to G1 brass/stainless steel



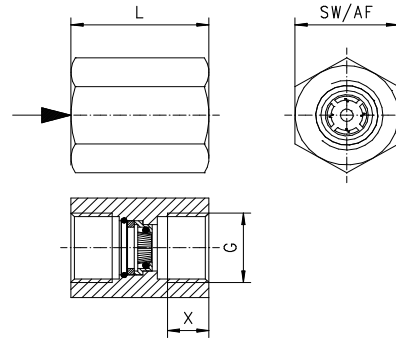
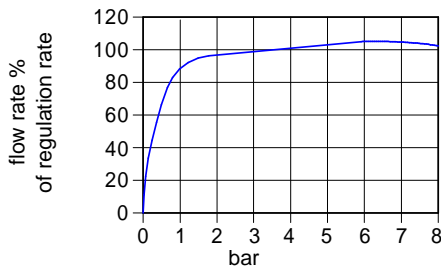
TECHNICAL DATA

WK-015GM012

	G	Type	PN *	regulation rate l/min H ₂ O	L mm	AF mm	X mm	weight kg
brass	G 1/2	WK-015GM...	100	3,5,6,8,10	40	30	12	0.18
	G 3/4	WK-020GM...	100	6,8,10,12,15	40	36	12	0.18
	G 1	WK-025GM...	100	6,8,10,12,15	60	46	20	0.70
stainless	G 1/2	WK-015GK...	100	3,5,6,8,10	40	30	12	0.18
	G 3/4	WK-020GK...	100	6,8,10,12,15	40	36	12	0.18
	G 1	WK-025GK...	100	6,8,10,12,15	60	46	20	0.70

* Max. differential pressure 16 bar !

differential pressure 2 - 10 bar
tolerance ±15%
media temperature max. 65°C



MATERIALS

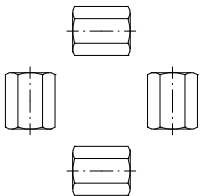
	WK-...GM	WK-...GK
body	brass Ms 58	s.s. 1.4305
insert	POM	POM
o-ring	NBR	NBR
spacer	s.s. 1.4571	s.s. 1.4571

NOMENCLATURE

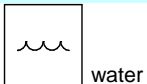
For combinations see table "technical data"

WK-	015	G	M	003	basic type specification
	015				● nominal diameter DN 15 - G1/2
	020				● nominal diameter DN 20 - G3/4
	025				● nominal diameter DN 25 - G1
		G			● female thread
			M		● brass design
			K		● stainless steel design
				003	● regulation rate H ₂ O 3 l/min
				005	● 5 l/min
				006	● 6 l/min
				008	● 8 l/min
				010	● 10 l/min
				012	● 12 l/min
				015	● 15 l/min
Special option VARIO					<input type="checkbox"/> special ranges entrance/female thread exit/male thread

MOUNTING POSITION



METERING SUBSTANCES



IMPORTANT FOR YOUR ORDER

- Please indicate metering substance and regulation quantity with your order.
- With viscous liquids indicate viscosity, temperature and metering substance (e.g. ISO VG68) (regulation rate on request)

All technical changes reserved

●BASIC Standard ○BASIC Programme option □VARIO Special option ⊕ PLUS Accessories ✗ not recommendable