

GENERAL CHARACTERISTICS

Mechanical Flow Indicator for a quantitative flow indication for liquids or gaseous media.

- * good repeatability
- * optional switch head VOR-

Female thread G1/2 to G1 brass/stainless steel



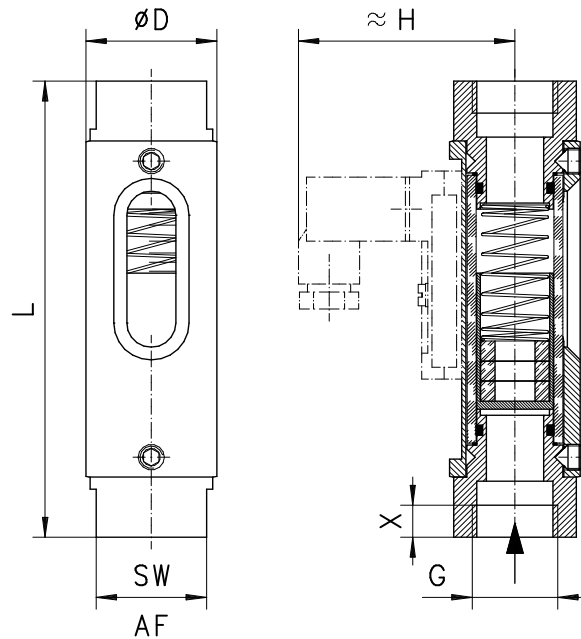
VOR-015GA0040

TECHNICAL DATA

G	Type	PN bar	Qmax. rec. l/min H ₂ O	indicating range H ₂ O	D mm	H mm	L mm	X mm	AF mm	weight kg
G1/2	VO-015G.0005	16	0.5	0.1 - 0.5 l/min	32	53	114	8	27	0.3
	VO-015G.0010	16	1	0.2 - 1.0 l/min						
	VO-015G.0016	16	1.6	0.4 - 1.6 l/min						
	VO-015G.0040	16	4	1 - 4 l/min						
	VO-015G.0080	16	8	2 - 8 l/min						
	VO-015G.0220	16	22	5 - 22 l/min						
	VO-015G.0280	16	28	6 - 28 l/min						
G1	VO-025G.0450	10	45	15 - 45 l/min	50	75	158	10	41	1.0
	VO-025G.0900	10	90	30 - 90 l/min						
	VO-025G.1500	10	150	60 - 150 l/min						

Indicating range is calibrated for vertical upward increasing flow.

tolerance ±10% of full scale
media temperature max. 100°C
average pressure loss 0.6bar at Qmax.



dotted lines: option switch head VFR-

MATERIALS

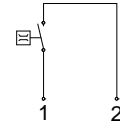
	VO-...GA	VO-...GK
housing	aluminium anodized	aluminium anodized
connectors	brass Ms58 nickel plated	stainless steel 1.4571
glass	duran 50	duran 50
piston	brass Ms58 nickel plated	stainless steel 1.4571
spring	stainless steel 1.4310	stainless steel 1.4571
magnet	hardferrite	hardferrite
seal	NBR	viton

ELECTRICAL DATA

● **BASIC Standard**
No electrical components

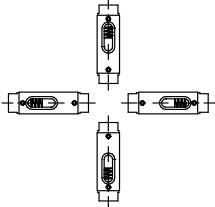
OBASIC
Programme
option

reed switch - wiring 0.212 n.o.
DN 15 230 V AC 3 A 60 VA
plug DIN 43650-C
DN 25 250 V AC 3 A 100 VA
plug DIN 43650-A



adjustable range complies to indicating range
protection class IP 65 additional weight 0.02kg

MOUNTING POSITION



Installation position may influence indicating range. Scale arrangement for upward flow.

METERING SUBSTANCES



water



gas/air



oil



design stainless steel VO-...GK for aggressive liquids

NOMENCLATURE

For combination see table "technical data"

VO-	015	G	A	0005		basic type
VO-					●	Flow Indicator
VOR-					○	Flow Indicator with switch head
	015				●	nominal diameter DN 15 - G1/2
	025				●	nominal diameter DN 25 - G1
		G			●	female thread
		W			○	manifold block connector for 70.1.VB.
			A		●	connector material brass
			K		●	connector material stainless steel
				0005	●	0.1 - 0.5 l/min
				0010	●	0.2 - 1.0 l/min
				0016	●	0.4 - 1.6 l/min
				0040	●	1 - 4 l/min
				0080	●	2 - 8 l/min
				0220	●	5 - 22 l/min
				0280	●	6 - 28 l/min
				0450	●	15 - 45 l/min
				0900	●	30 - 90 l/min
				1500	●	60 - 150 l/min
Programme option					○	wiring 0.342 - change over
BASIC						
Special option					□	setting / switch ranges for oil or gas
VARIO						scale 0 - 100%
						special scale, special ranges
Accessories					⊕	manifold block - data sheet 70.1.VB.
PLUS						

IMPORTANT FOR YOUR ORDER

- Please indicate flow direction, metering substance and indicating range with your order.
- With viscous liquids please indicate viscosity, temperature and metering substance (indicating range on request)
- With gaseous media indicate pressure (relative or absolute), temperature and metering substance (indicating range on request)

All technical changes reserved

●BASIC Standard ○BASIC Programme option □VARIO Special option ⊕ PLUS Accessories ✗ not recommendable