

**GENERAL CHARACTERISTICS**

Mechanical Flow Indicator for a quantitative flow indication for liquids or gaseous media.

- \* good repeatability
- \* optional switch head VFR-

Female thread G1/4 brass/stainless steel



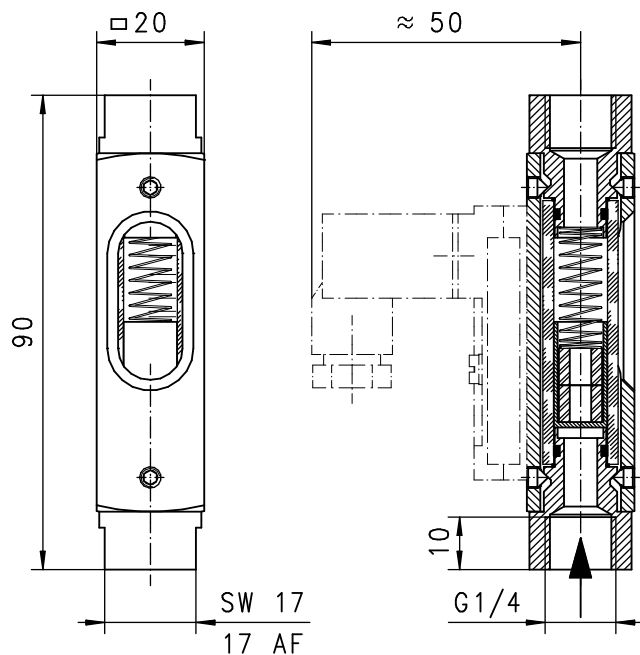
VFR-008GA014

**TECHNICAL DATA**

	G	Type	PN bar	Qmax. recom. H <sub>2</sub> O	indicating range H <sub>2</sub> O	weight kg
brass	G1/4	VF-008GA006	16	60 ml/min	5 - 60 ml/min	0.14
		VF-008GA013	16	130 ml/min	25 - 130 ml/min	0.14
		VF-008GA060	16	0.6 l/min	0.1 - 0.6 l/min	0.14
		VF-008GA300	16	3 l/min	0.5 - 3 l/min	0.14
		VF-008GA500	16	5 l/min	1 - 5 l/min	0.14
stainless steel	G1/4	VF-008GK006	16	60 ml/min	5 - 60 ml/min	0.14
		VF-008GK013	16	130 ml/min	25 - 130 ml/min	0.14
		VF-008GK060	16	0.6 l/min	0.1 - 0.6 l/min	0.14
		VF-008GK300	16	3 l/min	0.5 - 3 l/min	0.14
		VF-008GK500	16	5 l/min	1 - 5 l/min	0.14

Indicating range is calibrated for vertical upward increasing flow.

tolerance ±10% of full scale  
 media temperature max. 100°C  
 average pressure loss 0.02-0.2 bar at Qmax.



dotted lines: option switch head VFR-

**MATERIALS**

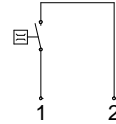
	VF-008GA	VF-008GK
housing	aluminium anodized	aluminium anodized
connectors	brass Ms58 nickel plated	stainless steel 1.4571
glass	duran 50	duran 50
piston	brass Ms58 nickel plated	stainless steel 1.4571
spring	stainless steel 1.4571	stainless steel 1.4571
magnet	hardferrite	hardferrite
seal	NBR	viton

**ELECTRICAL DATA**

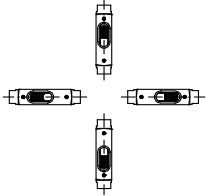
- **BASIC Standard**  
No electrical components

○ **BASIC Programme option**

reed switch - wiring 0.212 n.o.  
200 V AC 1 A 20 VA  
plug DIN 43650-C  
protection class IP 65  
adjustable range complies to indicating range  
additional weight 0.02kg



**MOUNTING POSITION**



Installation position may influence indicating range. Scale arrangement for upward flow.

**METERING SUBSTANCES**



water



gas/air



oil



design stainless steel VF-...GK for aggressive liquids

**NOMENCLATURE**

For combination see table "technical data"

VF-	008	G	A	006		basic type
VF-					●	Flow Indicator
VFR-					○	Flow Indicator with switch head
	008				●	nominal diameter DN 8 - G1/4
		G			●	female thread
			A		●	connector material brass
			K		●	connector material stainless steel
				006	●	5 - 60 ml/min
				013	●	25 - 130 ml/min
				060	●	0.1 - 0.6 l/min
				300	●	0.5 - 3 l/min
				500	●	1 - 5 l/min
Programme option					○	wiring 0.342 - change over
BASIC						
Special option					□	setting / switch ranges for oil or gas
VARIO						scale 0 - 100% special scale, special ranges

**IMPORTANT FOR YOUR ORDER**

- Please indicate flow direction, metering substance and indicating range with your order.
- With viscous liquids please indicate viscosity, temperature and metering substance ( indicating range on request)
- With gaseous media indicate pressure (relative or absolute), temperature and metering substance ( indicating range on request)

All technical changes reserved

●BASIC Standard ○BASIC Programme option □VARIO Special option ⊕ PLUS Accessories ✗ not recommendable