

GENERAL CHARACTERISTICS

Instruments operate by a spring-supported paddel with magnetic triggering of a reed switch.

- * good repeatability
- * low pressure loss
- * dirt resistant
- * hermetic separation of electrical and hydraulic components
- * stress free fixation of switch unit by plastic cap

Female thread G3/8 to G2 brass/stainless steel



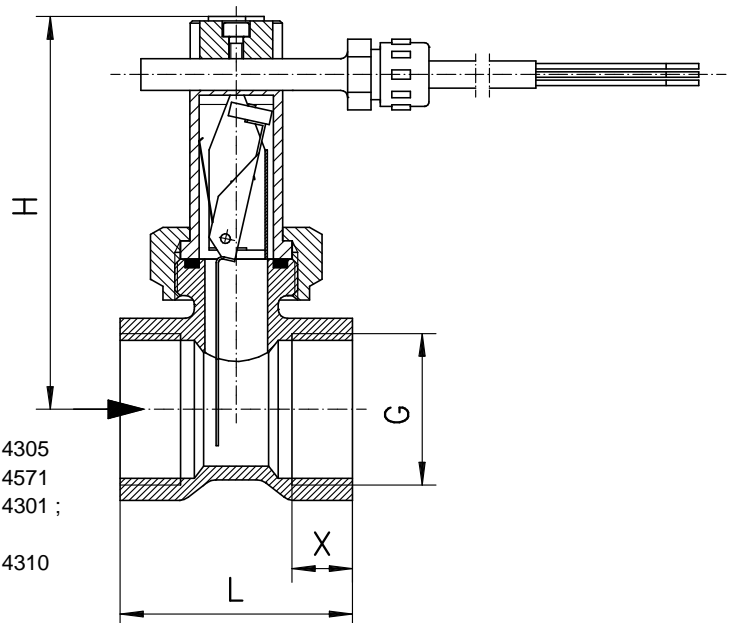
UR1-020GM

TECHNICAL DATA

	G	Type	PN bar	Qmax.recom. l/min H ₂ O	adjustable range l/min H ₂ O	H mm	L mm	X mm	weight kg
brass	G 3/8	UR.-010GM	25	10	2.5 - 3.5	81	50	10	0,35
	G 1/2	UR.-015GM	25	20	4 - 4.5	81	50	10	0,35
	G 3/4	UR.-020GM	25	40	5 - 6	82	50	12	0,35
	G 1	UR.-025GM	25	60	9.5 - 11.5	86	50	12	0,40
	G 1 1/4	UR.-032GM	25	80	13.5 - 17.5	90	50	12	0,55
	G 1 1/2	UR.-040GM	25	100	30 - 38	93	50	12	0,60
	G 2	UR.-050GM	25	150	42 - 53	102	50	12	1,00
stainless steel	G 3/8	UR.-010GK	25	10	2.5 - 3.5	81	50	10	0,40
	G 1/2	UR.-015GK	25	20	4 - 4.5	81	50	10	0,41
	G 3/4	UR.-020GK	25	40	5 - 6	82	50	12	0,35
	G 1	UR.-025GK	25	60	9.5 - 11.5	86	50	12	0,45
	G 1 1/4	UR.-032GK	25	80	13.5 - 17.5	90	50	12	0,55
	G 1 1/2	UR.-040GK	25	100	30 - 38	93	50	12	0,70
	G 2	UR.-050GK	25	150	42 - 53	102	50	12	1,00

Adjustable range is indicated for horizontally decreasing flow.

tolerance	±15% of full scale
media temperature	max. 110°C
average pressure loss	0.01bar at Qmax.
hysteresis	depending on switch value minimum 0.7 l/min.

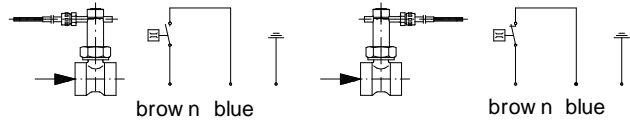


MATERIALS

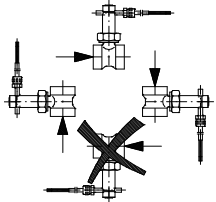
	UR.-...GM	UR.-...GK
housing	brass Ms58	stainless steel 1.4305
body	brass Ms58	stainless steel 1.4571
paddel	stainless steel 1.4301 ; 1.4571	stainless steel 1.4301 ; 1.4571
spring	stainless steel 1.4310	stainless steel 1.4310
magnet	oxyd 300	oxyd 300
seal	NBR	viton

ELECTRICAL DATA

reed switch
wiring 0.225
n.c. or n.o. depending on installation position
230 V AC 1A 50VA
1.5 m cable
protection class IP 65



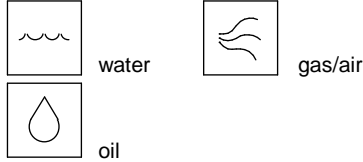
MOUNTING POSITION



Installation position may influence switch value.

type UR2 (plastic switching unit) without earth

METERING SUBSTANCES



NOMENCLATURE

For combinations see table "technical data"

UR1-	010	G	M			basic type	
UR1-					●	specification	
UR2-					○	switch unit brass	
	010				●	switch unit and body plastic (PN10 - Tmax. 80°C - c cable 0,5 m)	
	015				●	nominal diameter	
	020				●		DN 10 - G3/8
	025				●		DN 15 - G1/2
	032				●		DN 20 - G3/4
	040				●		DN 25 - G1
	050				●		DN 32 - G1 1/4
					●		DN 40 - G1 1/2
		G			●	DN 50 - G2	
			M		●	female thread	
			K		●	brass design	
				A	○	stainless steel design	
					○	switch unit ATEX (product information 92.1.U1)	
Special option					□	setting / adjustable ranges for oil or gas	
VARIO						special cable length	

IMPORTANT FOR YOUR ORDER

- Please indicate flow direction, metering substance and adjustable range with your order.
- With viscous liquids please indicate viscosity, temperature and metering substance (adjustable range on request)
- With gaseous media indicate pressure (relative or absolute), temperature and metering substance (adjustable range on request)

SPECIAL APPLICATIONS



UR2 plastic
with fitting male thread plastic or brass G1/2A
or fitting female thread G3/8 - G2



UI without magnet for liquid substances
with ferrite contamination
with fitting male thread plastic or brass G1/2A
or fitting female thread G3/8 - G2

All technical changes reserved

●BASIC Standard ○BASIC Programme option □VARIO Special option ⊕ PLUS Accessories ✗ not recommendable