

GENERAL CHARACTERISTICS

Mechanical Flow Switch for liquids or gaseous media. A bellow-supported paddle activates an adjustable micro switch.

- * operational range a diameter 25-200
- * visual functions control by transparent cover
- * micro switch with "combination contact" gold coating for small currents and silver coating for larger currents
- * low pressure loss

Male thread R1" brass/stainless steel
Socket flange DN32 brass/stainless steel



UB1-032EM

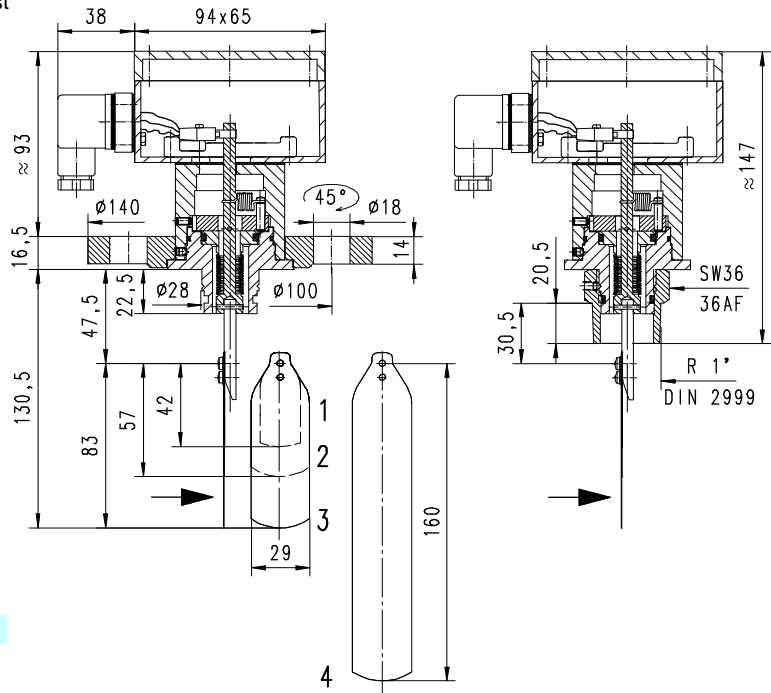
UB1-025HM

TECHNICAL DATA

DN	PN bar	Qmax. recom. m³/h H₂O	adjustable range m³/h H₂O			
			Paddel 1	Paddel 1,2	Paddel 1,2,3	Paddel 1,2,3,4
25	16	4	1.2 - 2.0	-	-	-
32	16	8	1.4 - 2.5	-	-	-
40	16	12	2.3 - 3.8	-	-	-
50	16	20	5.1 - 7.9	1.9 - 3.4	-	-
65	16	30	9.5 - 16.7	4.7 - 8.3	-	-
80	16	45	16.0 - 24.9	8.7 - 14.1	4.4 - 8.0	-
100	16	75	21.6 - 34.0	12.8 - 20.1	8.4 - 13.9	7.0 - 12.4

Adjustable range is indicated for horizontally decreasing flow.
DN 25-32 only male thread design, DN 125-200 on request

media temperature max. 140°C
tolerance ±15% of full scale
average pressure loss 0,08 bar at Qmax.
hysteresis depending on switch value
minimum 0.1 m³/h
weight 1.3 kg male thread design
2.5 kg socket flange design



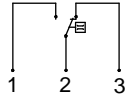
Attention! Paddle fixation not secured.
With critical conditions (i.e. vibration) please protect paddle screws.

WERKSTOFFE

	UB1-....M	UB1-....K		
housing	brass Ms58	s.s. 1.4305	Paddel 1 to adjusting for DN25	flange DIN 2527 nominal
paddle	s.s. 1.4305/1.4310	s.s. 1.4305/1.4310	Paddel 4 may be adjusted to pipe size	pressure 16 nominal diameter 32
bellow	s.s. 1.4541	s.s. 1.4541	DN 100 paddle lenght 92	sealing surface DIN 2526 form C
cap	PC	PC	DN 125 paddle lenght 117	Attention! Flange seal is not
flange/socket	Rg5/Ms	s.s. 1.4305	DN 150 paddle lenght 143	included in standard
seal	NBR	Viton	from DN 175 original paddle lenght	shipment.

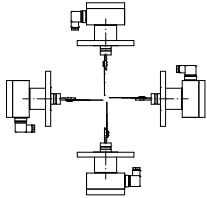
ELECTRICAL DATA

Micro switch with "combination contact" gold coating for small currents and silver coating for larger currents wiring 0.371 change over plug DIN 43650-A protection class IP 65



		A max. resistive	A max. inductive		A min.
max.	250V AC/DC	6A	1,5A	min.	4V
	125V AC/DC	6A	2A		1mA
	24V DC	6A	5A		
	12V DC	6A	6A		

MOUNTING POSITION



Installation position may influence switch value.

METERING SUBSTANCES



water



design stainless steel for aggressive liquids



oil

NOMENCLATURE

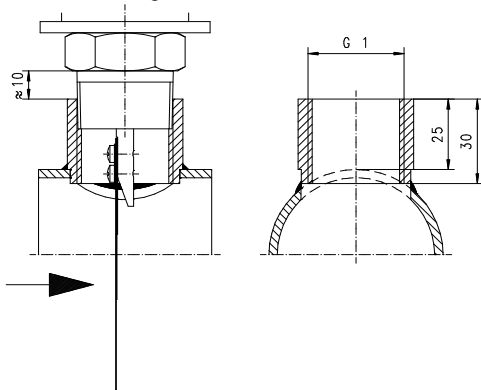
UB1-	025H	M	basic type specification
	025H		● male thread DN25 - R1"
	032E		● socket flange DN32
		M	● brass design
		K	● stainless steel design
Programme option BASIC			○ contact for locking plug M12x1, 4-pole protection class IP 67 opaque cover

IMPORTANT FOR YOUR ORDER

- Please indicate flow direction, metering substance and adjustable range with your order.
- With viscous liquids please indicate viscosity, temperature and metering substance (adjustable range on request)

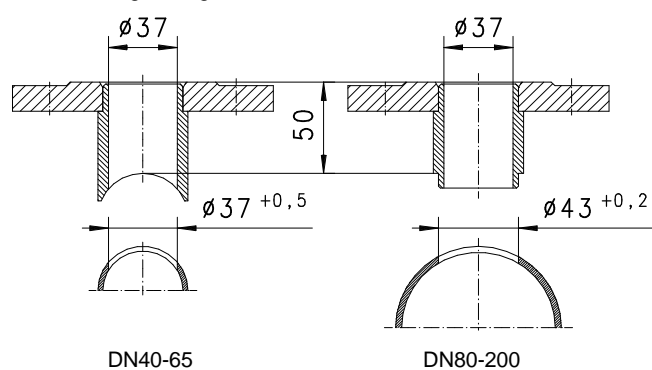
INSTALLATION RECOMMENDATIONS

Male thread design



tube DIN 2448 standard wall thickness

Socket flange design



DN40-65

DN80-200

tube DIN 2448 standard wall thickness

ACCESSORIES

The socket flanges as indicated in the installation recommendations are available in the Honsberg accessory range See product information 71.1 FL.



All technical changes reserved

●BASIC Standard ○BASIC Programme option □VARIO Special option ⊕ PLUS Accessories ✗ not recommendable