

**GENERAL CHARACTERISTICS**

The instruments are used for liquids while a turbine in full-plastic housing generates flow-dependent revolutions which are detected optically.

- \* not straight inline/ outline requirement
- \* full-plastic design
- \* for transparent liquids
- \* integrated filter

Nozzle Ø6.9 up to Ø16 PVDF

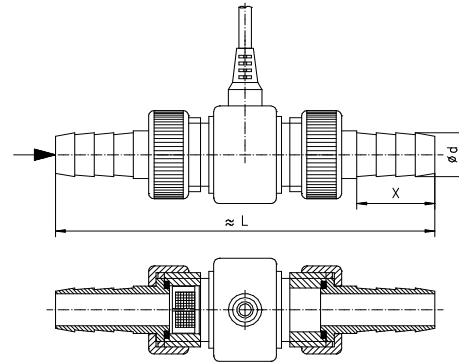


**TECHNICAL DATA**

RO-012TV015

Type	PN bar	Qmax. recom. l/min H <sub>2</sub> O	metering range l/min H <sub>2</sub> O	filter µm	pulse/litre	d mm	X mm	L mm	weight kg
RO-007TV002	6	1.5	0.1 - 2	-	36000	6.9	20	95	0.06
RO-010TV009	6	8	0.3 - 9	60	8000	10	22	112	0.09
RO-012TV015	6	12	0.5 - 15	60	3200	12	24	112	0.10
RO-016TV030	6	23	1.0 - 30	60	1200	16	28	137	0.12

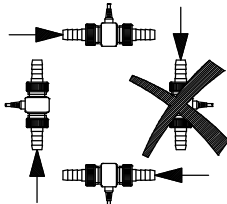
tolerance ±1%  
 linearity ±1%  
 repeatability ±1%  
 media temperature max. 85°C  
 average pressure loss 0.5 to 1bar at Qmax.



**MATERIALS**

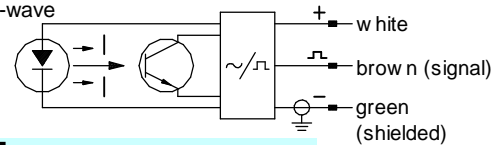
wetted parts PVDF  
 seal polymere  
 bearings PVDF

**MOUNTING POSITION**



**ELECTRICAL DATA**

infra red-opto-electric  
 supply 5..12 V DC 6..33 mA  
 with integrated wiring protection  
 exit signal 5..11 V square-wave  
 frequency 20-800 Hz  
 cable 1 metre



**METERING SUBSTANCES**



**Attention!** For transparent liquids only.

**NOMENCLATURE**

RO-	007	T	V	002	basic type specification
	007				● nozzle Ø 6.9
	010				● nozzle Ø10
	012				● nozzle Ø12
	016				● nozzle Ø16
		T			● nozzle
			V		● PVDF
				002	● metering range 0.1 - 2 l/min
				009	● metering range 0.3 - 9 l/min
				015	● metering range 0.5 - 15 l/min
				030	● metering range 1.0 - 30 l/min

**ACCESSORIES**

For type RO-007TV a filtre FRP4174 is compulsory for protection of the moving parts. Please order separately.

All technical changes reserved

●BASIC Standard ○BASIC Programme option □VARIO Special option ⊕ PLUS Accessories ✗not recommendable