

**GENERAL CHARACTERISTICS**

Mechanical Flow Indicator for liquids or gaseous media, with spring-supported piston. Piston is magnetically linked to an indicator element. Rugged design in bronze / brass combination.

- \* good repeatability
- \* dirt resistance
- \* for dark and/or contaminated liquids
- \* turnable scale
- \* no pressurized or wetted glass parts

Female thread G1/4 to G3 bronze



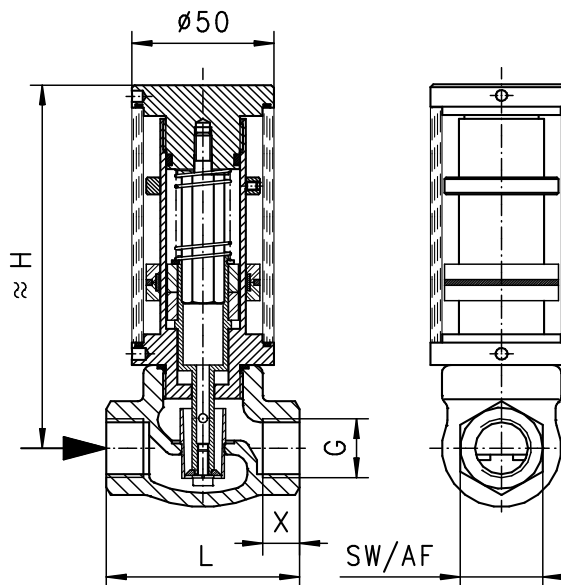
**MP-015GR020**

**TECHNICAL DATA**

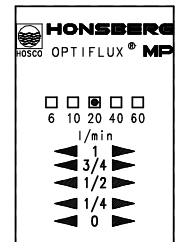
	G	Type	PN bar	Qmax. recom. l/min H <sub>2</sub> O		indicating range l/min H <sub>2</sub> O			H mm	L mm	AF mm	X mm	weight kg
						Standard	Programme option						
bronze/brass	G 1/4	MP-008GR...	100	6	10	1.5 - 6	2.5 - 10		130	68	29	12	1.1
	G 3/8	MP-010GR...	100	10		2.5 - 10	1.5 - 6		130	68	29	12	1.1
	G 1/2	MP-015GR...	100	20		5 - 20	1.5 - 6	2.5 - 10	130	68	29	13	1.1
	G 3/4	MP-020GR...	25	40		10 - 40	2.5 - 10	5 - 20	133	73	32	11	1.2
	G 1	MP-025GR...	25	60		10 - 40	2.5 - 10	5 - 20	136	87	41	12	1.4
	G 1 1/4	MP-032GR...	16	100		20 - 100	12 - 60		150	98	52	13	2.0
	G 1 1/2	MP-040GR150	16	150		30 - 150			154	113	59	14	2.6
	G 2	MP-050GR...	16	250		50 - 250	30 - 150		184	137	72	17	4.2
	G 2 1/2	MP-065GR...	16	400		80 - 400	50 - 250		200	160	85	26	5.6
	G 3	MP-080GR...	16	600		120 - 600	80 - 400		200	148	100	23	8.3

Indicating range is calibrated for vertical upward increasing flow.

tolerance ±10% of full scale  
 media temperature max. 100°C  
 average pressure loss 0.7bar at Qmax.



indication scale  
 1 = 100% = 20l/min



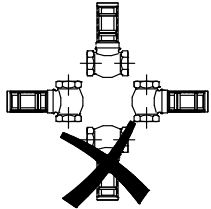
**MATERIALS**

housing bronze Rg5/Rg6 nickel plated  
 piston brass Ms58  
 spring stainless steel 1.4310  
 piston guide brass Ms58  
 tube acrylic (XT)

## ELECTRICAL DATA

No electrical components

## MOUNTING POSITION



Installation position may influence indicating range.

## METERING SUBSTANCES



water



gas/air



oil

## NOMENCLATURE

For combination see table "technical data"

MP-	008	G	R	006		basic type specification
	008				●	DN 8 - G1/4
	010				●	DN 10 - G3/8
	015				●	DN 15 - G1/2
	020				●	DN 20 - G3/4
	025				●	DN 25 - G1
	032				●	DN 32 - G1 1/4
	040				●	DN 40 - G1 1/2
	050				●	DN 50 - G2
	065				●	DN 65 - G2 1/2
	080				●	DN 80 - G3
		G			●	female thread
			R		●	housing bronze
				006	●/○	1.5 - 6 l/min
				010	●/○	2.5 - 10 l/min
				020	●/○	5 - 20 l/min
				040	●	10 - 40 l/min
				060	○	12 - 60 l/min
				100	●/○	20 - 100 l/min
				150	●/○	30 - 150 l/min
				250	●/○	50 - 250 l/min
				400	●/○	80 - 400 l/min
				600	●	120 - 600 l/min
Programme option					○	housing stainless steel
BASIC						
Special option					□	special range
VARIO						special scales

## IMPORTANT FOR YOUR ORDER

- Please indicate flow direction, metering substance and indicating range with your order.
- With viscous liquids please indicate viscosity, temperature and metering substance (indicating range on request)
- With gaseous media indicate pressure (relative or absolute), temperature and metering substance (indicating range on request)

All technical changes reserved

IBASIC Standard ○BASIC Programme option □VARIO Special option ⊕ PLUS Accessories ✗ not recommendable