

GENERAL CHARACTERISTICS

Flowmeter operates according to the variable area principle with a ball float moving flow-dependently in a conical metering tube.

- * turnable magnifying glass optimizes reading comfort
- * glass tube

Female thread NPT1/8" stainless steel



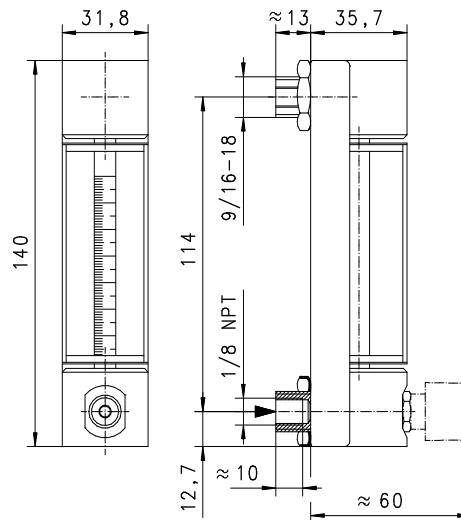
GR-065AK0005G

TECHNICAL DATA

	NPT	Type	PN bar	metering range air Ncm ³ /min	metering range water cm ³ /min	weight kg
float glass	NPT 1/8"	GR-065GK0005G	10	2 - 50	0.02 - 0.54	0.5
		GR-065GK0010G	10	5 - 103	0.06 - 1.2	
		GR-065GK0040G	10	20 - 400	0.24 - 5.8	
		GR-065GK0090G	10	20 - 900	0.2 - 18.2	
		GR-065GK0258G	10	100 - 2580	2 - 55	
		GR-065GK0393G	10	100 - 3930	2 - 90	
		GR-065GK0600G	10	100 - 6000	2 - 130	
		GR-065GK1010G	10	150 - 10100	3 - 235	
		GR-065GK1575G	10	800 - 15750	10 - 375	
		GR-065GK2500G	10	700 - 23640	10 - 570	
float stainless steel	NPT 1/8"	GR-065GK0015K	10	5 - 153	0.1 - 2.75	0.5
		GR-065GK0029K	10	10 - 298	0.3 - 5.3	
		GR-065GK0085K	10	40 - 855	0.9 - 21	
		GR-065GK0180K	10	50 - 1800	1 - 50	
		GR-065GK0503K	10	250 - 5030	3 - 140	
		GR-065GK0751K	10	300 - 7510	5 - 220	
		GR-065GK1145K	10	250 - 11450	5 - 335	
		GR-065GK1896K	10	400 - 18960	10 - 660	
		GR-065GK2940K	10	2000 - 29400	40 - 880	
		GR-065GK4334K	10	2000 - 43340	50 - 1305	

Scale in mm-increments. Conversion diagram mm/flowrate subject of to delivery.

tolerance ±5% off full scale
media temperature max. 90°C



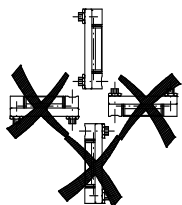
MATERIALS

metering tube natural glass
float glass or stainless steel
connector stainless steel
seal viton

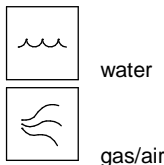
ELECTRICAL DATA

No electrical components.

MOUNTING POSITION



METERING SUBSTANCES



NOMENCLATURE

For combinations see table "technical data".

GR-	065	G	K	0005	G	basic type specification
GR-						● Flowmeter
GRV-						● Flowmeter with valve
	065					● scale length 65mm
		G				● female thread
			K			● stainless steel
			A			○ aluminium
			M			○ brass
				0005		● 2 - 50 Ncm ³ /min air 0.02- 0.54 cm ³ /min water
				0010		● 5 - 103 Ncm ³ /min air 0.06- 1.2 cm ³ /min water
				0015		● 5 - 153 Ncm ³ /min air 0.1 - 2.75 cm ³ /min water
				0029		● 10 - 298 Ncm ³ /min air 0.3 - 5.3 cm ³ /min water
				0040		● 20 - 400 Ncm ³ /min air 0.24- 5.8 cm ³ /min water
				0085		● 40 - 855 Ncm ³ /min air 0.9 - 21 cm ³ /min water
				0090		● 20 - 900 Ncm ³ /min air 0.2 - 18.2 cm ³ /min water
				0180		● 50 - 1800 Ncm ³ /min air 1 - 50 cm ³ /min water
				0258		● 100 - 2580 Ncm ³ /min air 2 - 55 cm ³ /min water
				0393		● 100 - 3930 Ncm ³ /min air 2 - 90 cm ³ /min water
				0503		● 250 - 5030 Ncm ³ /min air 3 - 140 cm ³ /min water
				0600		● 100 - 6000 Ncm ³ /min air 2 - 130 cm ³ /min water
				0751		● 300 - 7510 Ncm ³ /min air 5 - 220 cm ³ /min water
				1010		● 150 - 10100 Ncm ³ /min air 3 - 235 cm ³ /min water
				1145		● 250 - 11450 Ncm ³ /min air 5 - 334 cm ³ /min water
				1575		● 800 - 15750 Ncm ³ /min air 10 - 375 cm ³ /min water
				1896		● 400 - 18960 Ncm ³ /min air 10 - 560 cm ³ /min water
				2364		● 700 - 23640 Ncm ³ /min air 10 - 570 cm ³ /min water
				2940		● 2000 - 29400 Ncm ³ /min air 40 - 880 cm ³ /min water
				4334		● 2000 - 43340 Ncm ³ /min air 50 - 1305 cm ³ /min water
					G	● glass float
					K	● stainless steel float
Special option VARIO						<input type="checkbox"/> scale with direct range reading float sapphire, tantalum or carbon precision valve

IMPORTANT FOR YOUR ORDER

- With gaseous media indicate pressure (relative or absolute), temperature and metering substance, e.g. air, (metering range on request)

SPECIAL APPLICATION



GR-150
Design with scale length 150mm
ranges on request

All technical changes reserved

●BASIC Standard ○BASIC Programme option □VARIO Special option ⊕ PLUS Accessories ✗ not recommendable