

GENERAL CHARACTERISTICS

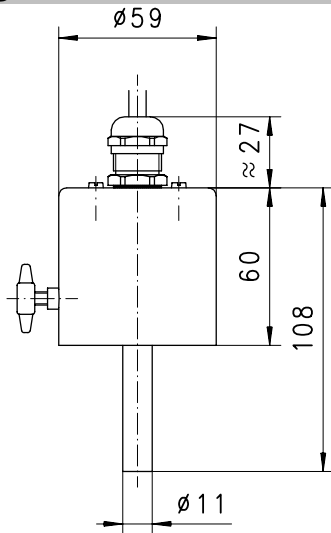
A flow switch, for liquid or gaseous media, with magnetical actuation of a reed switch.



I M1 EEx ia I
II 1G EEx ia IIC T4
II 1D EEx iaD 20 T135



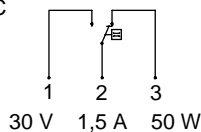
DIMENSIONS



ELECTRICAL DATA

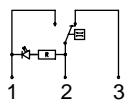
reed switch
cable 2.5 m
temperature Tu max. 50°C
protection class IP 65

wiring 0.213



30 V 1,5 A 50 W

wiring 0.208
diode red



15 V 1,5 A 50 W
28 V 1,5 A 50 W
36 V 1,5 A 50 W

APPLICATION FOR TYPE

| switch head | type |
|-------------|------|
| A-V1 | VD |



NOMENCLATURE

| A-V1 | -1 | basic type specification |
|------|----|--------------------------|
| A-V1 | | ● switch head A-V1 |
| | -1 | ● wiring 0.213 |
| | -2 | ● wiring 0.208 15 V |
| | -3 | ● wiring 0.208 28 V |
| | -4 | ● wiring 0.208 36 V |

All technical changes reserved

●BASIC Standard ○BASIC Programme option □VARIO Special option ⊕ PLUS Accessories ✗ not recommendable