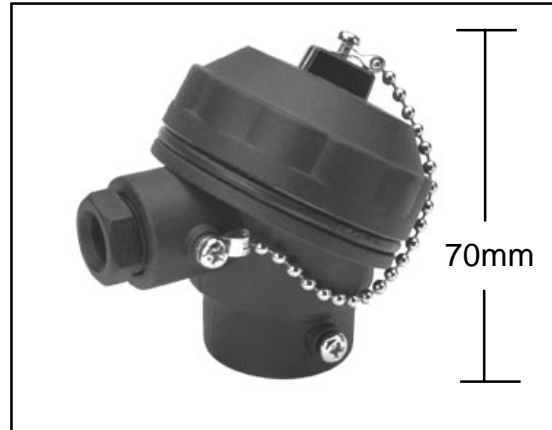


Terminal Head - plastic**TH2****FEATURES**

- This plastic terminal head has a 1/4" BSP thread which makes it ideal for use with our level switches type MFS21-E & MFS21-K which can be seen on our [DataFax 1505](#)



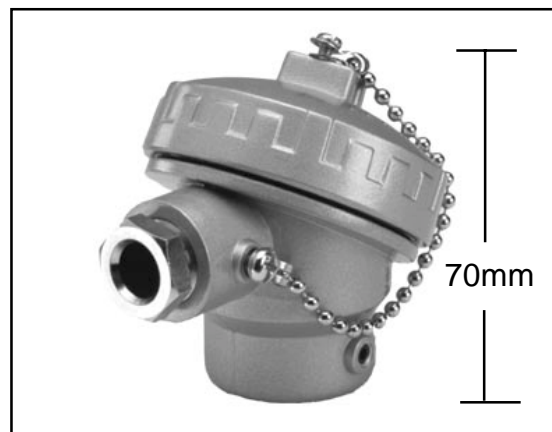
Technical data			
Cover	Screw type with chain	Terminal Block	2 way
Process Entry	1/4" BSP	IP Rating	IP67
Material	Bakelite		

Terminal Head - aluminium**KNS****DataFax - 3501****FEATURES**

- This die-cast terminal head has a 1/8" BSP thread which makes it ideal for use with our Type MFS or RFS level switches.

See our Level Switch page at:

www.pvl.co.uk/level.htm



Technical data			
Cover	Screw type with chain	Max. Temperature	170°C
Process Entry	1/8" BSP	Terminal Block	4 way
Cable Entry	M16 x 1.5mm + gland	IP Rating	IP67
Material	Cast aluminium/		

PRESSURE-VACUUM-LEVEL LTD

Unit 9, Lexden Lodge Industrial Estate, Jarvis Brook,
Crowborough, East Sussex, TN6 2NQ U.K.

Tel: +44(0)1892 66 44 99 Fax: +44(0)1892 66 36 90

Web: www.pvl.co.uk Email: info@pvl.co.uk

PVL
Switched on to Industry