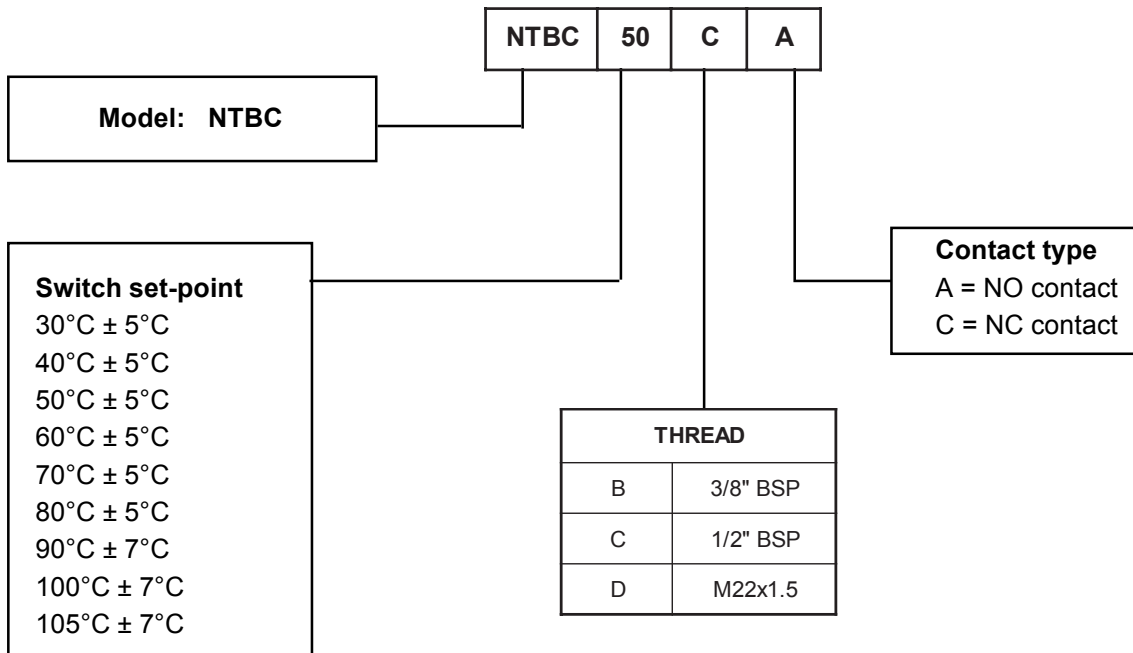
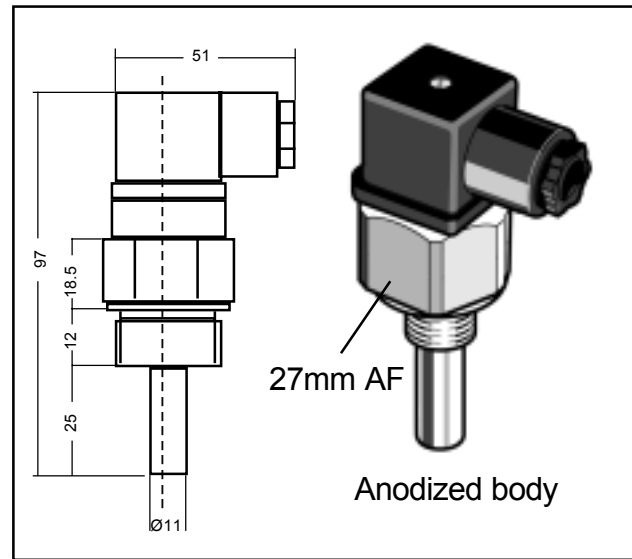


Temperature Switch**NTBC****FEATURES**

- Aluminium body for maximum heat conductivity.
- Standard DIN Plug - rotatable
- 3/8" or 1/2" BSP thread as standard
- N/O or N/C electrical contacts
- Protected to IP65
- Ideal for water or oil applications

Up to 10 bar maximum pressure



| Technical data | | | |
|--------------------------|--------------------------|---------------------|----------------------------|
| Switch electrical rating | 220Vac/1A res (0.5A ind) | Body material | Anodized Aluminium |
| Protection | IP65 (DIN 40050) | Hysteresis | 5 degC |
| Contacts (choice) | N/O or N/C | Maximum temperature | 120°C |
| Cable gland | Pg9 (DIN 43650) | Choice of threads | 1/2" or 3/8" BSP & M22x1.5 |

PRESSURE-VACUUM-LEVEL LTD

Unit 9, Lexden Lodge Industrial Estate, Jarvis Brook, Crowborough, East Sussex, TN6 2NQ U.K.

Tel: +44(0)1892 66 44 99 Fax: +44(0)1892 66 36 90

Web: www.pvl.co.uk Email: info@pvl.co.uk

