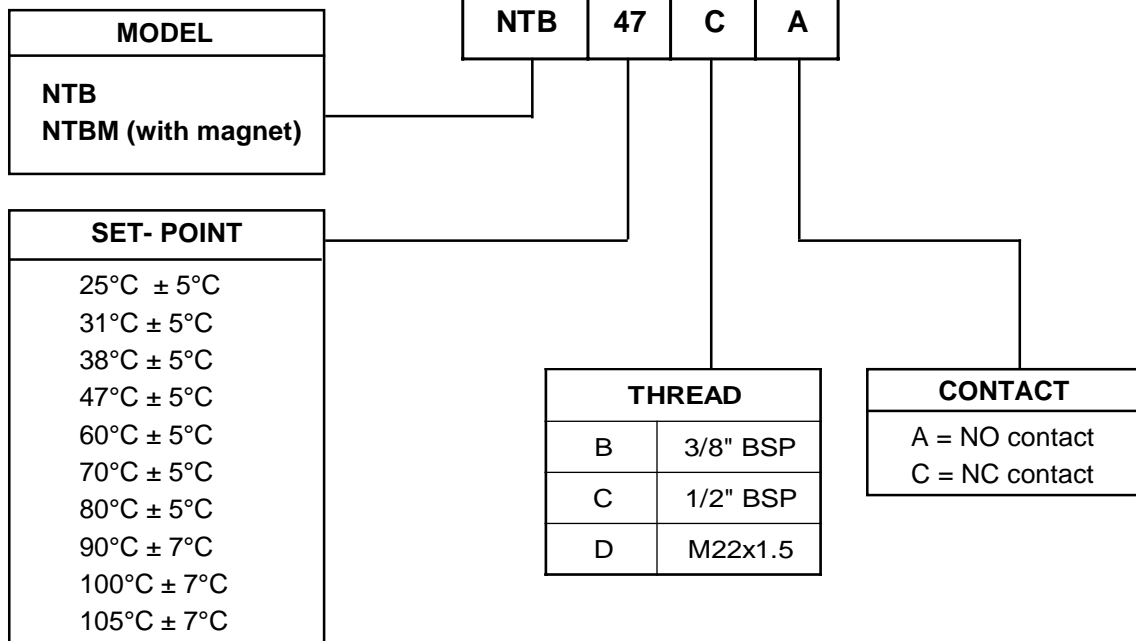
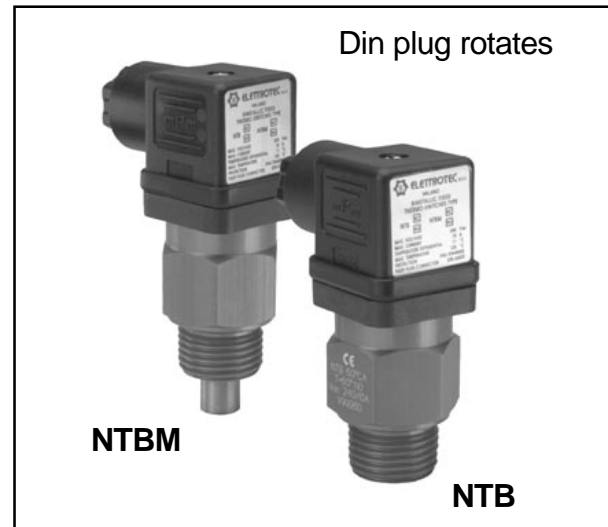


Temperature Switch**NTB & NTBM****FEATURES**

- Aluminium body for maximum heat conductivity.
- Standard DIN Plug - rotatable
- 3/8" or 1/2" BSP threads as standard
- N/O or N/C electrical contacts
- Protected to IP65
- Ideal for water or oil applications
- Red anodized finish
- Up to 10 bar maximum pressure

**TECHNICAL DATA**

Switch electrical rating AC	240 Vac/10A	Temperature differential	Up to 80degC = 11°C
Switch electrical rating DC	24Vdc/5A & 12Vdc/10A	Temperature differential	Above 80degC = 15°C
Max. temperature	120°C	Body material	Anodized aluminium
Protection	IP65 DIN 40050	Switch body	Thermoplastic

PRESSURE-VACUUM-LEVEL LTD

Unit 9, Lexden Lodge Industrial Estate, Jarvis Brook,
Crowborough, East Sussex, TN6 2NQ U.K.

Tel: +44(0)1892 66 44 99 Fax: +44(0)1892 66 36 90

Web: www.pvl.co.uk Email: info@pvl.co.uk

