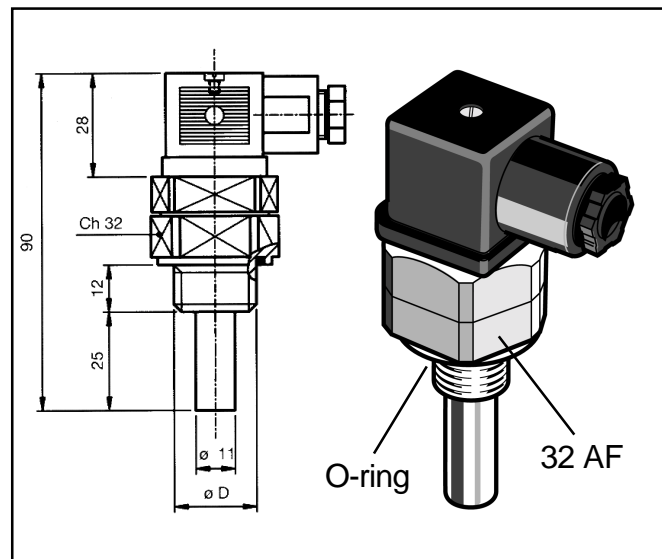


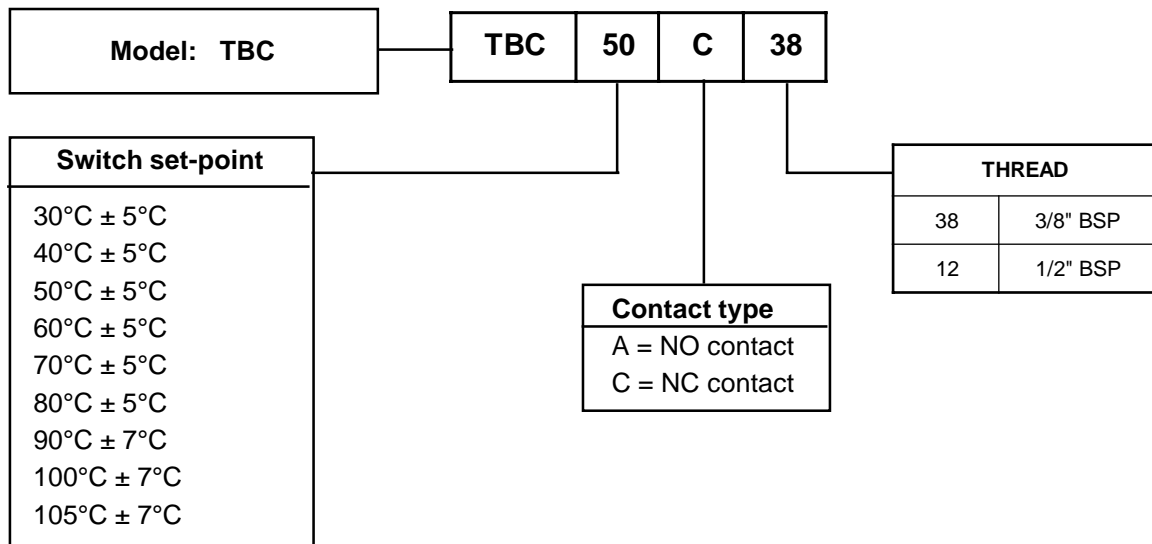
**Temperature Switch****TBC...****FEATURES**

- Aluminium body for maximum heat conductivity.
- Integral O-Ring face seal
- 3/8" or 1/2" BSP thread choice
- N/O or N/C electrical contacts
- Protected to IP65
- Ideal for water or oil applications



See [Datafax 2509](#) for a similar model to the Type TBC but with a rotatable Din Plug (Type NTBC)

See [Datafax 2507](#) for a similar model but with a red anodized body, optional magnet and rotatable Din Plug (Type NTB & NTBM)



Switch electrical rating	220Vac/1A res (0.5A ind)	Body material	Anodized Aluminium
Protection	IP65 (DIN 40050)	Hysteresis	5 degC
Contacts (choice)	N/O or N/C	Maximum temperature	120°C
Cable gland	Pg9 (DIN 43650)	O - ring seal material	NBR (Nitrile)
Maximum pressure	10 Bar Static	Choice of threads	1/2" or 3/8" BSP

**PRESSURE-VACUUM-LEVEL LTD**

Unit 9, Lexden Lodge Industrial Estate, Jarvis Brook,  
Crowborough, East Sussex, TN6 2NQ U.K.

Tel: +44(0)1892 66 44 99 Fax: +44(0)1892 66 36 90

Web: [www.pvl.co.uk](http://www.pvl.co.uk) Email: [info@pvl.co.uk](mailto:info@pvl.co.uk)

