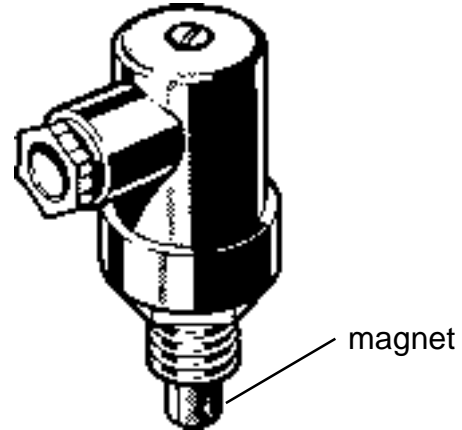


Temperature Switch**TB & TBM****FEATURES**

- 31°C to 70°C switch ranges
- Normally open contacts (N/O)
- Brass body
- Optional magnet
- 3/8" or 1/2" BSP threads
- IP 65 Cap (Pt/No. CAP 2)

See [Datafax 2504](#) for a similar model with a Din Plug (Type TBC)



Temperature switch shown with CAP2 & optional magnet (TBM)

Standard Model	Thread	Switch-point °C	Magnet Model
TB 31 B	3/8" BSP	31	TBM 31 B
TB 38 B		38	TBM 38 B
TB 47 B		47	TBM 47 B
TB 60 B		60	TBM 60 B
TB 70 B		70	TBM 70 B
TB 31 C	1/2" BSP	31	TBM 31 C
TB 38 C		38	TBM 38 C
TB 47 C		47	TBM 47 C
TB 60 C		60	TBM 60 C
TB 70 C		70	TBM 70 C

Switch electrical rating	240Vac/10A (resistive)	Body material	Brass
Protection	IP65 with CAP2	Differential	11°C approx
Contacts	Normally Open (N/O)	Maximum temperature	120°C

PRESSURE-VACUUM-LEVEL LTD

Unit 9, Lexden Lodge Industrial Estate, Jarvis Brook,
Crowborough, East Sussex, TN6 2NQ U.K.

Tel: +44(0)1892 66 44 99 Fax: +44(0)1892 66 36 90

Web: www.pvl.co.uk Email: info@pvl.co.uk

