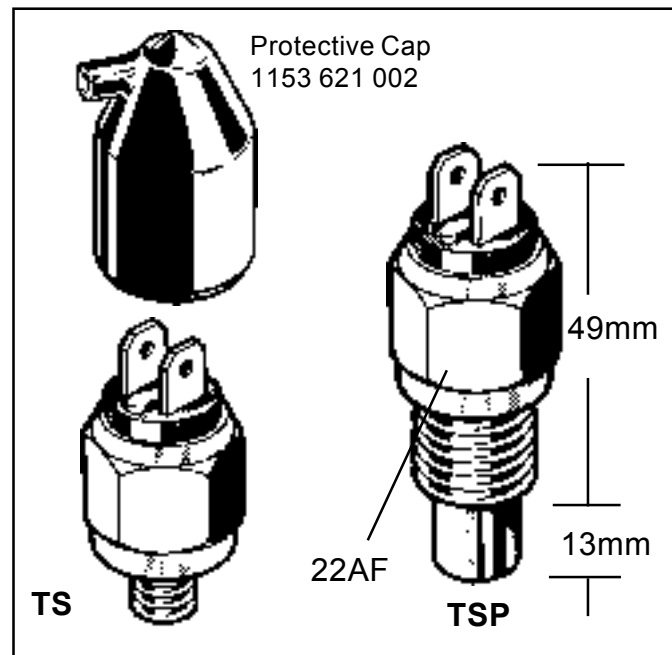


Temperature switch**TS & TSP****FEATURES**

- Ranges from 25 to 180°C
- N/O or N/C contacts
- Brass body
- Wide choice of threads
- Optional protective cap
- Available with probe (TSP)



Technical data	
Thread types	BSP, BSPT, NPT & Metric - Please enquire
Temperature Switching Ranges	+25°C to +130°C Tolerance = ± 3°C
Temperature Differential	11°C ± 2°C
Operating Temperature Range	-40°C to +240°C
Max. Pressure	300 Bar
Body Material	Brass
Contacts	N/O or N/C
Contact Rating (Resistive)	12Vdc/16A; 24Vdc/12A; 240Vac/10 A
Terminals	1/4" (6.35) Push On
Protection	IP54 with protective cap Pt/No 1153 621 002

OPTIONAL RANGES (For orders of 1,000 pieces or more)

Temperature Switching Ranges	0°C to +204°C
------------------------------	---------------

See [Datafax 2504](#) for a similar model
with a Din Plug (Type TBC)

PRESSURE-VACUUM-LEVEL LTD

Unit 9, Lexden Lodge Industrial Estate, Jarvis Brook,
Crowborough, East Sussex, TN6 2NQ U.K.

Tel: +44(0)1892 66 44 99 Fax: +44(0)1892 66 36 90

Web: www.pvl.co.uk Email: info@pvl.co.uk

