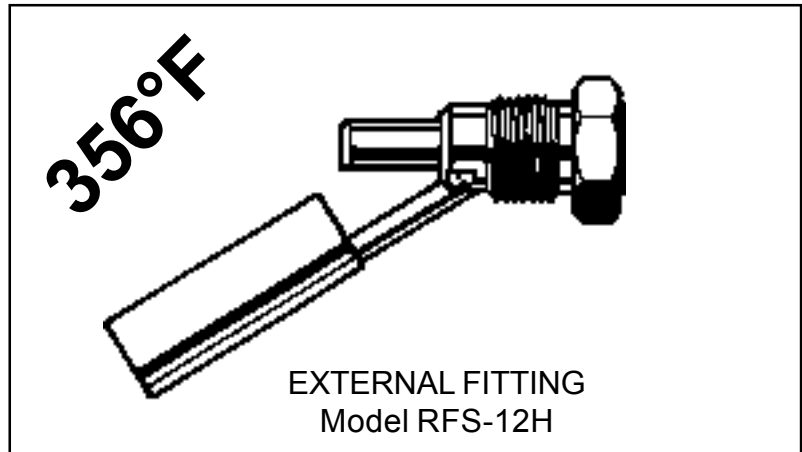
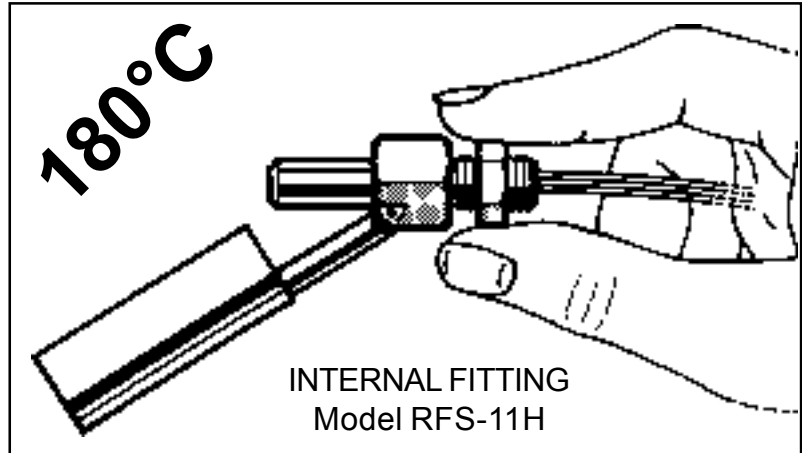


**180deg C level switches****RFS-11H, RFS-12H**

- All Stainless Steel
- High temp. 180°C
- Rugged hinge
- Optional DIN Plug
- 1/8" or 1/2" thread
- Internal or external assembly
- Compact design

**This is the lowest price, high temperature, all stainless steel, side entry level switch available in the U.K!**

**REED SWITCH PROTECTION**

When a reed-switch is used on an inductive load e.g. a relay - the current surge which flows back to the reed-switch (back EMF) can cause the reed switch to fail.

Fitting a suppressor either "in-line" or "across" the relay coil can help protect the reed-switch.

**SUPPRESSORS**

PVL 047-1 12 & 24Vdc = £1.60 each  
 PVL 047-2 110Vac = £1.60 each  
 PVL 047-3 240Vac = £2.20 each

ORDER CODE		
MODEL	FITTING	PRICE
RFS-11H	Internal	£35.00
RFS-12H	External	£35.00

**O.E.M. QUANTITY DISCOUNTS**

For quantity discount breaks - please call us at the number below. We are able to supply these and other switches in our range at attractive prices, either in a single shipment or against your scheduled order.

**PRESSURE-VACUUM-LEVEL LTD**

Unit 9, Lexden Lodge Industrial Estate, Jarvis Brook, Crowborough, East Sussex, TN6 2NQ U.K.

Tel: +44(0)1892 66 44 99 Fax: +44(0)1892 66 36 90

Web: www.pvl.co.uk Email: info@pvl.co.uk



## Stainless steel level switches RFS-11H, RFS-12H

### FITTING

The RFS-11H is assembled from inside the tank or vessel after first drilling a 3/8" (10mm) clearance hole in the tank wall.

The RFS-12H has a 1/2"NPT tapered thread, which is almost indistinguishable from 1/2"BSPT.

This switch can be fitted from outside the tank by screwing it into a 10mm (max) deep, threaded boss.

Both switches can be rotated through 180° to give either Normally Open or Normally Closed contacts.

### PROTECTION

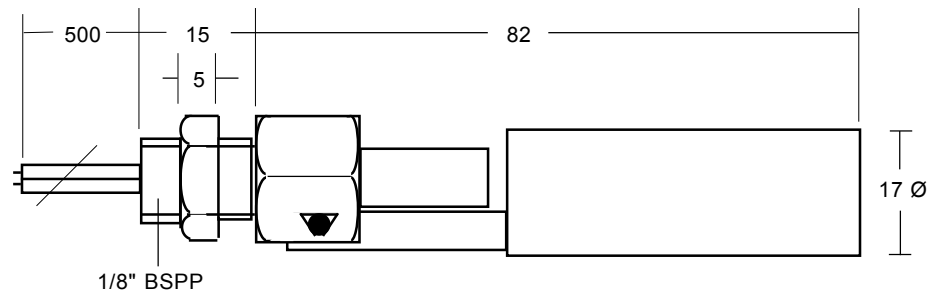
For inductive loads, such as relays etc, we strongly recommend that a PVL suppressor be used to protect the reed switch from back EMF.

See front of this DataFax.

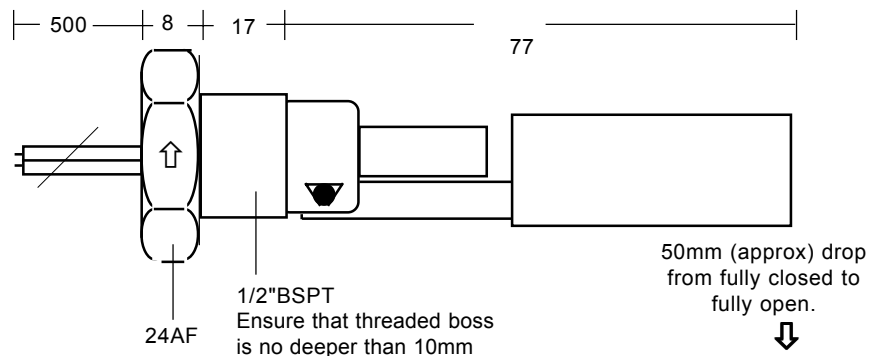
### CUSTOM DESIGNS

Please contact our sales department for further information on our '10 day' delivery, multi-level switches.

**DIMENSIONS - RFS-11H (Internal fitting)**



**DIMENSIONS - RFS-12H (External fitting with flying leads)**



### SPECIFICATION - RFS-11H, & RFS-12H

Contact rating	50 VA	Temp range	-40°C to +180°C
Max switching voltage	300Vac	Max pressure	5 bar
Max switching current	0.5A AC/DC	Float SG	0.70 ± 0.04
Dielectric strength	600 V DC	Material (all s/steel)	Float = 316; Body = 304 grade
Contact resistance	200 mOhms	Thread (Internal type)	1/8" BSP
Insulation resistance	10 mOhms	Thread (External type)	1/2" BSPT

### PRESSURE-VACUUM-LEVEL LTD

Unit 9, Lexden Lodge Industrial Estate, Jarvis Brook, Crowborough, East Sussex, TN6 2NQ U.K.

Tel: +44(0)1892 66 44 99 Fax: +44(0)1892 66 36 90

Web: [www.pvl.co.uk](http://www.pvl.co.uk) Email: [info@pvl.co.uk](mailto:info@pvl.co.uk)

