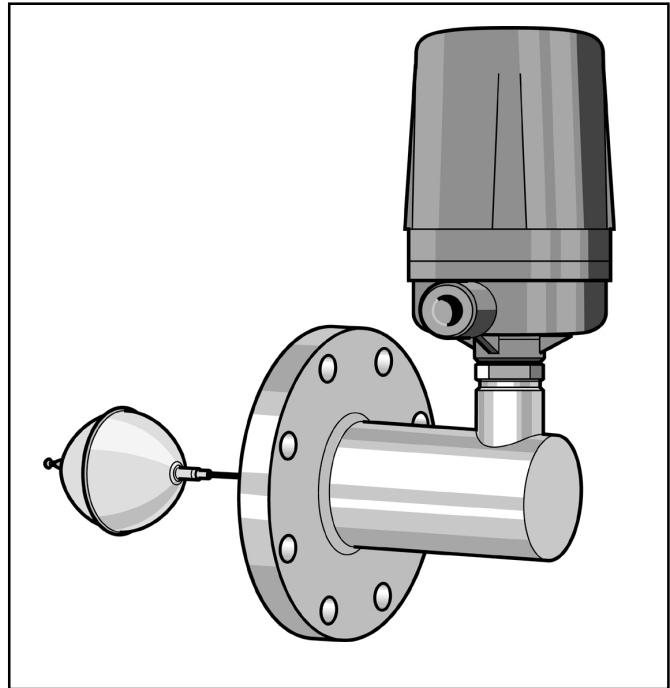


Level switch - side entry**TYPE: IL5****FEATURES**

- Pressures up to 64bar
- Temperatures up to 250°C
- Carbon steel, S/steel 304, S/steel 316, & PVC options
- ANSI 3" & 5" flanges
- Protected to IP65
- 30 to 200mm differential

OPTIONS

- Flame proof option EExd IIB T6
- 2 x parallel SPDT contacts



Pressures	Up to 64bar
Temperatures	Up to 250°C
Specific gravity	Up to 0.7 Kg/dm ³

Electrical values			
Type	Volts	Amps resistive	For type
SPDT Microswitch	500	5	All types

Standard flanges		Float
Flange ANSI B16.5 150 LB - 300LB	Flange UNI 2223 PN 10 - PN 25	
3"	DN80	Ø 70 x 180
4"	DN100	Ø 98 x 180
5"	DN125	Ø 98 x 180

Rod	Differential
100mm	60mm
150mm	80mm
200mm	100mm
250mm	120mm
300mm	140mm
Max Rod Length 500mm	

Body	Standard Max. Temp	Max. Temp with cooling fin
Carbon steel	120°C	250°C
S/S AISI 304	120°C	250°C
S/S AISI 316	120°C	250°C

PRESSURE-VACUUM-LEVEL LTD

Unit 9, Lexden Lodge Industrial Estate, Jarvis Brook,
Crowborough, East Sussex, TN6 2NQ U.K.

Tel: +44(0)1892 66 44 99 Fax: +44(0)1892 66 36 90

Web: www.pvl.co.uk Email: info@pvl.co.uk

PVL
Switched on to Industry