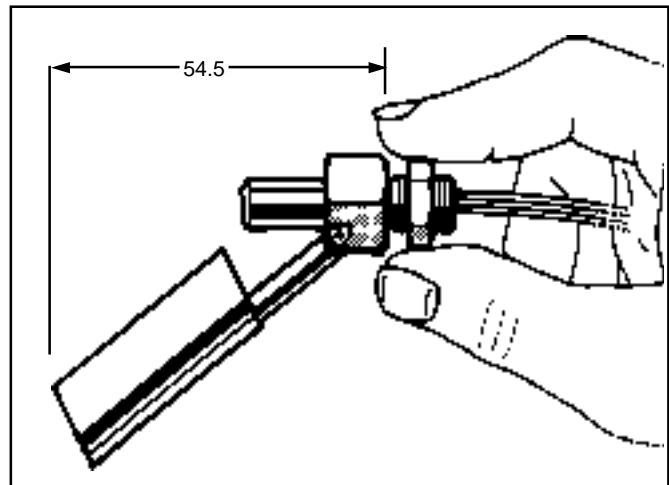


Level Switch - worlds smallest**RFS-13****FEATURES**

- All 304 stainless steel construction
- Strong hinge pin
- 1/8" BSP for internal fitting
- Only 54.5mm protrudes inside tank
- Max. temperature 120°C
- 24Vac/dc 0.1A, 500mm cable



Technical data:

Contact Capacity	1.0W maximum	Maximum Current	0.1A AC/DC
Contact Resistance	150m ohms	Insulation Resistance	10M ohms
Switching Voltage	150V DC	Float Specific Gravity	0.80 ± 0.05
Maximum Voltage	24V AC/DC	Operating Temperature	-40°C to +120°C

Is this is the smallest,
all stainless steel, side
entry level switch
available in the World ?

REED SWITCH PROTECTION

When a reed-switch is used on an inductive load e.g. a relay - the current surge which flows back to the reed-switch (back EMF) can cause the reed switch to fail.

Fitting a suppressor either "in-line" or "across" the relay coil can help protect the reed-switch.

ORDER CODE

MODEL	FITTING	PRICE
RFS-13-2	Internal	£30.00
RFS-13-2-A	External with adaptor	TBA

O.E.M. QUANTITY DISCOUNTS

For quantity discount breaks - please call us at the number below. We are able to supply these and other switches in our range at attractive prices, either in a single shipment or against your scheduled order.

PRESSURE-VACUUM-LEVEL LTD

Unit 9, Lexden Lodge Industrial Estate, Jarvis Brook,
Crowborough, East Sussex, TN6 2NQ U.K.

Tel: +44(0)1892 66 44 99 Fax: +44(0)1892 66 36 90

Web: www.pvl.co.uk Email: info@pvl.co.uk

PVL
Switched on to Industry