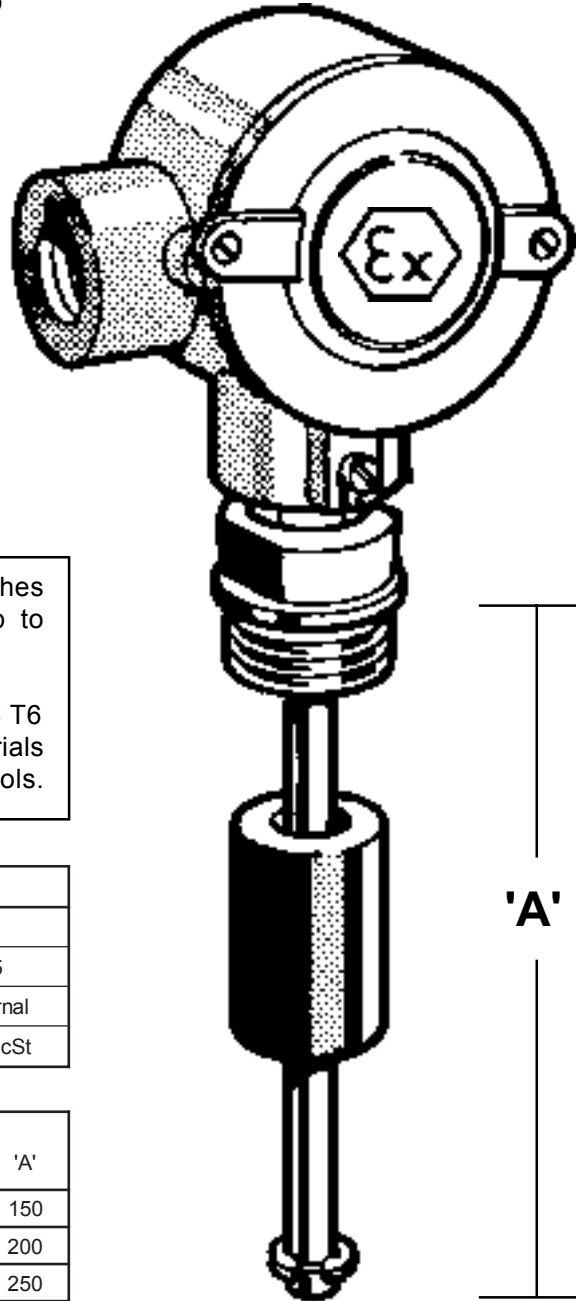




Level switch - Brass & Nitrile

LM2CTA...EP

- Explosion Proof - EExd II C T6
- LLOYD approved
- Lengths from 150 to 500mm
- Die cast aluminium housing
- Brass stem
- Nitrile float
- 1" BSP aluminium header
- Single or SPDT contacts



At last! - a range of 'Explosion Proof' level switches which can be supplied in various lengths up to 500mm with short delivery times...

These switches conform to Cenelec EEx dII C T6 (EN 50014-18) and can be supplied in other materials including stainless steel and with 4 x Level controls.

TECHNICAL DATA

| | | | |
|--------------|--------------|----------------------|----------|
| Max Voltage | 220Vac/ 50Hz | Min liquid SG | 0.7 |
| Max current | 0.5A (res) | Protection | IP65 |
| Max pressure | 10 bar | Connections | Internal |
| Max temp | +80°C | Max liquid viscosity | 150 cSt |

| SINGLE CONTACT | | SPDT CONTACT | | 'A' |
|----------------|-------------|--------------|-------------|-----|
| Code | Type | Code | Type | |
| 3.2.660A | LM1CTA150EP | 3.2.670A | LM2CTA150EP | 150 |
| 3.2.660B | LM1CTA200EP | 3.2.670B | LM2CTA200EP | 200 |
| 3.2.660C | LM1CTA250EP | 3.2.670C | LM2CTA250EP | 250 |
| 3.2.660D | LM1CTA300EP | 3.2.670D | LM2CTA300EP | 300 |
| 3.2.660E | LM1CTA350EP | 3.2.670E | LM2CTA350EP | 350 |
| 3.2.660F | LM1CTA400EP | 3.2.670F | LM2CTA400EP | 400 |
| 3.2.660G | LM1CTA450EP | 3.2.670G | LM2CTA450EP | 450 |
| 3.2.660H | LM1CTA500EP | 3.2.670H | LM2CTA500EP | 500 |

PRESSURE-VACUUM-LEVEL LTD

Unit 9, Lexden Lodge Industrial Estate, Jarvis Brook, Crowborough, East Sussex, TN6 2EG U.K.

Tel: +44(0)1892 66 44 99 Fax: +44(0)1892 66 36 90

See the Cat at: www.pvl.co.uk





Level switch - Stainless steel

LM2TIA...EP

- Explosion Proof - EExd II C T6
- Lengths from 150 to 500mm
- Die cast aluminium housing
- Stainless steel stem
- Stainless steel float
- 1 1/4" BSP stainless steel header
- Single or SPDT contacts

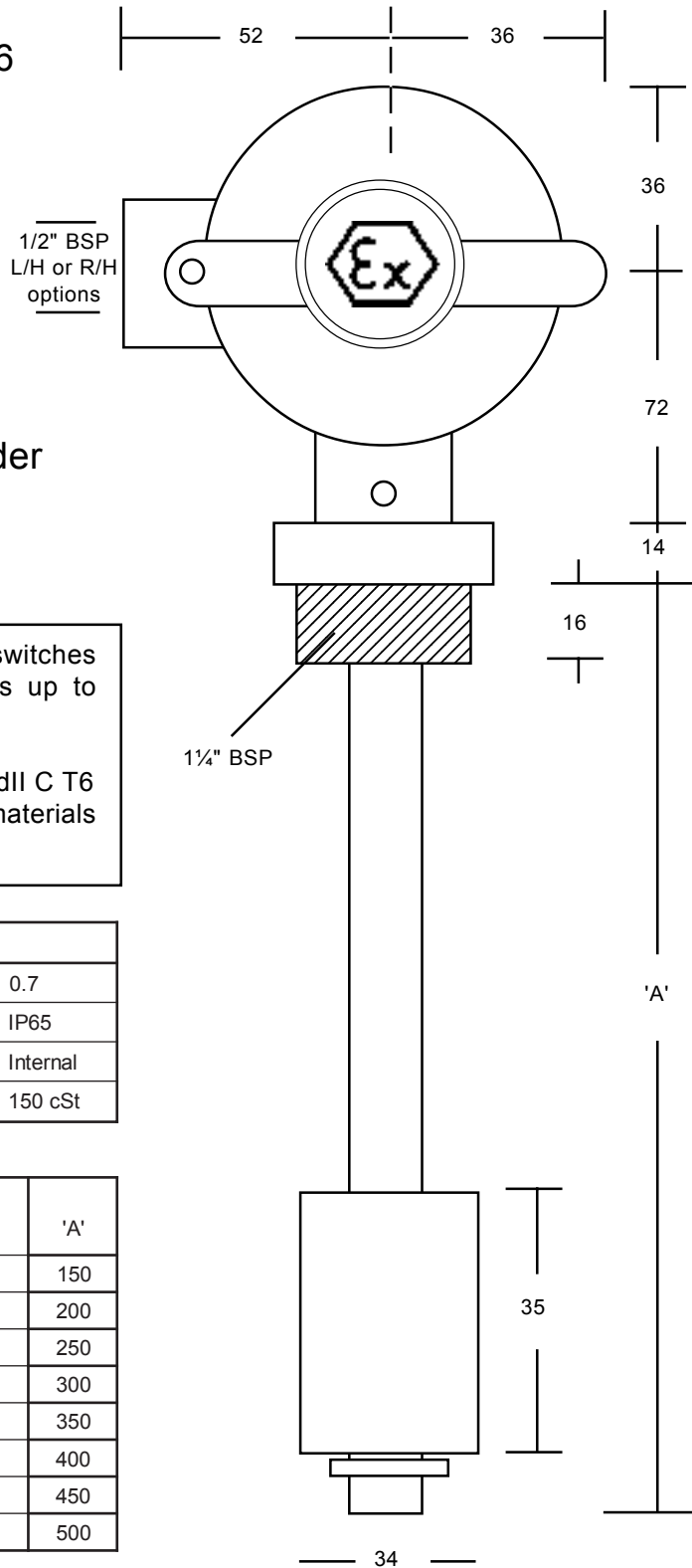
At last! - a range of 'Explosion Proof' level switches which can be supplied in various lengths up to 500mm with short delivery times...

These switches conform to Cenelec EEx dII C T6 (EN 50014-18) and can be supplied in other materials including brass and with 4 x Level controls.

TECHNICAL DATA

| | | | |
|--------------|--------------|----------------------|----------|
| Max Voltage | 220Vac/ 50Hz | Min liquid SG | 0.7 |
| Max current | 0.5A (res) | Protection | IP65 |
| Max pressure | 5 bar | Connections | Internal |
| Max temp | +80°C | Max liquid viscosity | 150 cSt |

| SINGLE CONTACT | | SPDT CONTACT | | 'A' |
|----------------|-------------|--------------|-------------|-----|
| Code | Type | Code | Type | |
| 3.2.690A | LM1TIA150EP | 3.2.700A | LM2TIA150EP | 150 |
| 3.2.690B | LM1TIA200EP | 3.2.700B | LM2TIA200EP | 200 |
| 3.2.690C | LM1TIA250EP | 3.2.700C | LM2TIA250EP | 250 |
| 3.2.690D | LM1TIA300EP | 3.2.700D | LM2TIA300EP | 300 |
| 3.2.690E | LM1TIA350EP | 3.2.700E | LM2TIA350EP | 350 |
| 3.2.690F | LM1TIA400EP | 3.2.700F | LM2TIA400EP | 400 |
| 3.2.690G | LM1TIA450EP | 3.2.700G | LM2TIA450EP | 450 |
| 3.2.690H | LM1TIA500EP | 3.2.700H | LM2TIA500EP | 500 |



PRESSURE-VACUUM-LEVEL LTD

Unit 9, Lexden Lodge Industrial Estate, Jarvis Brook, Crowborough, East Sussex, TN6 2EG U.K.

Tel: +44(0)1892 66 44 99 Fax: +44(0)1892 66 36 90

See the Cat at: www.pvl.co.uk

