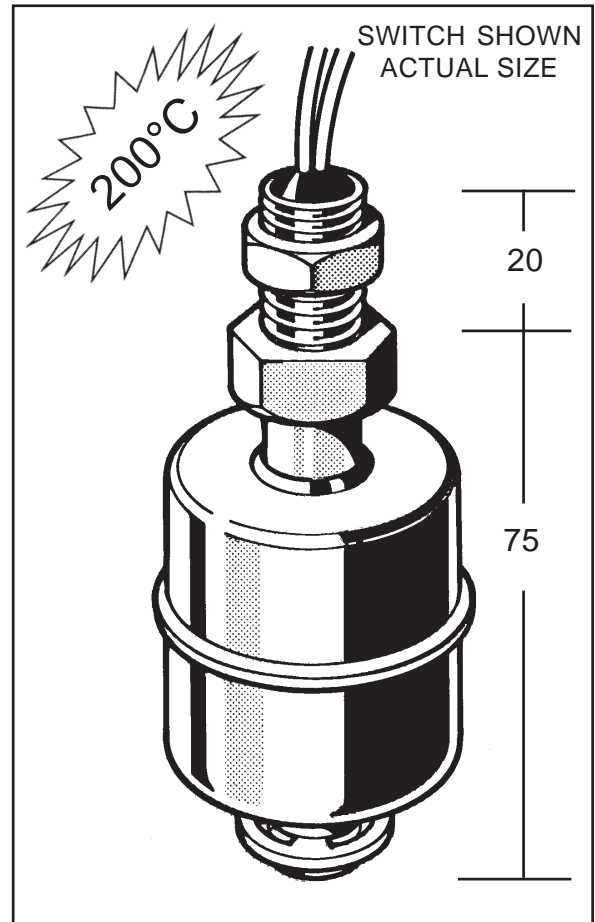


**Level switch - high temperature****RFS-6-2****FEATURES**

- All 316 grade stainless steel
- Pressures upto 10 bar
- 200°C maximum temperature
- N/O or N/C contact
- Low specific gravity - 0.53SG

**OPTIONS**

- Multi-level - See DataFax 1526

**REVERSIBLE FLOAT**

To change from a N/O to a N/C contact, simply remove the circlip and reverse the float on the stem.

**REED SWITCH PROTECTION**

When a reed-switch is used on an inductive load e.g. a relay - the current surge which flows back to the reed-switch (back EMF) can cause the reed switch to fail.

Fitting a suppressor either "in-line" or "across" the relay coil can help protect the reed-switch.

**PRICES**

See our latest prices at [www.epvl.co.uk](http://www.epvl.co.uk)

|                         |                   |                  |                     |
|-------------------------|-------------------|------------------|---------------------|
| Maximum voltage         | 240Vac            | Float material   | 316 stainless steel |
| Reed switch rating      | 50VA              | Stem material    | 316 stainless steel |
| Maximum current         | 0.5A (resistive)  | Float dimensions | 50dia x 48mm        |
| Maximum pressure & temp | 10 bar & 200°C    | Float buoyancy   | 0.53 SG             |
| Thread                  | 3/8" BSP x 20mm L | Circlip material | 316 stainless steel |

**PRESSURE-VACUUM-LEVEL LTD**

Unit 9, Lexden Lodge Industrial Estate, Jarvis Brook,  
Crowborough, East Sussex, TN6 2EG U.K.

Tel: +44(0)1892 66 44 99 Fax: +44(0)1892 66 36 90

See the Cat at: [www.pvl.co.uk](http://www.pvl.co.uk)

