

Pressure switch - Intrinsically Safe PSM & PSP Ex

- 0.2 - 300 bar adjustment ranges
- Over pressures up to 600 bar
- Standard DIN Plug (IP 65)
- Change-over contacts (SPDT)
- Suitable for gases and liquids
- Integral 'O' ring high pressure seal
- Stainless steel & vacuum options
- Optional snubber

Type	Adjustable range (bar)	Max. static pressure bar	Tolerance bar at 25°C
Standard zinc plated steel body			
PSM 2 Ex STL	0.2 - 2	300	± 0.2
PSM 10 Ex STL	1 - 10	300	± 0.4
PSM 50 Ex STL	10 - 50	300	± 2
PSM100 Ex STL	10 - 100	300	± 3
PSP 150 Ex STL	30 - 150	300	± 5
PSP 300 Ex STL	50 - 300	600	± 15
303 Stainless steel body			
PSM 2 Ex 303	0.2 - 2	200	± 0.2
PSM 10 Ex 303	1 - 10	200	± 0.4
PSM 50 Ex 303	10 - 50	200	± 2
PSM 100 Ex 303	10 - 100	200	± 3
PSP 150 Ex 303	30 - 150	250	± 5
PSP 300 Ex 303	50 - 300	400	± 15
316 Stainless steel body			
PSM 2 Ex 316	0.2 - 2	200	± 0.2
PSM 10 Ex 316	1 - 10	200	± 0.4
PSM 50 Ex 316	10 - 50	200	± 2
PSM 100 Ex 316	10 - 100	200	± 3
PSP 150 Ex 316	30 - 150	250	± 5
PSP 300 Ex 316	50 - 300	400	± 15

OPTIONS

- G** Gold plated contacts for low current
SG Degreased for oxygen
TG Tested for gas applications

FREE ADJUSTMENT

Adjustment is free of charge, please advise Rising and/or Falling pressure.

To adjust these switches yourselves, please see [DataFax 1023A](#)

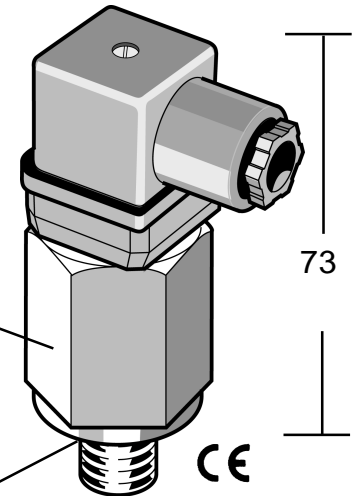
For Prices see [DataFax 1087P](#)



EEx ia IIC T6

27AF

'O' Ring material matches diaphragm or piston seal.



INTRINSICALLY SAFETY PARAMETERS

Working temperature	-20° to + 70°C
Input voltage	Ui = 30 V
Input current	Ii = 100 mA
Max. input power	Pi = 0.75 W
Input capacity	Ci = ~ 0 F
Input inductance	Li = ~ 0 H

TECHNICAL DATA

Adjustable changeover	10% - 30% set up
Max strokes (PSM)	60 at 1' at 25°C
Max strokes (PSP)	120 at 1' at 25°C
Protection	IP 65 - DIN 40050
Electrical connection	PG 09 - DIN 43650
Standard execution	HNBR membrane
Weight	100 gr.

MATERIALS

Standard body	Zinc plated steel
Option body material	303 grade stainless steel
Option body material	316 grade stainless steel
Standard diaphragm	HNBR
Optional diaphragm	Silicon
Optional diaphragm	EPDM
Connector & cable clamp	Nylon 6.6
Electrical contact	Silver plated copper 3µ

THREADS

Standard	1/4" BSP
Optionals	1/8" BSP
	1/8" NPT
	M10 x 1
	M12 x 1.5

PRESSURE-VACUUM-LEVEL LTD

Unit 9, Lexden Lodge Industrial Estate, Jarvis Brook, Crowborough, East Sussex, TN6 2NQ U.K.

Tel: +44(0)1892 66 44 99 Fax: +44(0)1892 66 36 90

Web: www.pvl.co.uk Email: info@pvl.co.uk

