

**Pressure switch - Differential (low)****930.8X****FEATURES**

- Scaled adjustment knob
- 0.2 to 25mbar in 6 ranges
- SPDT (C/O) contacts
- Switch rating 250Vac/1.5A(0.4A)
- Push-on tube connections (6mm OD)
- Mounting brackets & pipe kit available

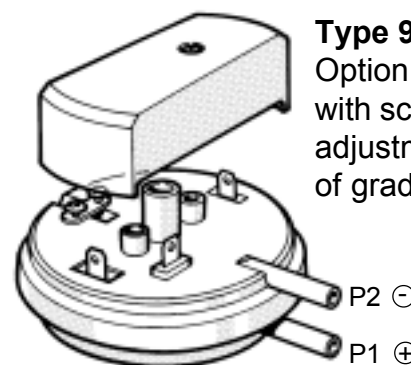
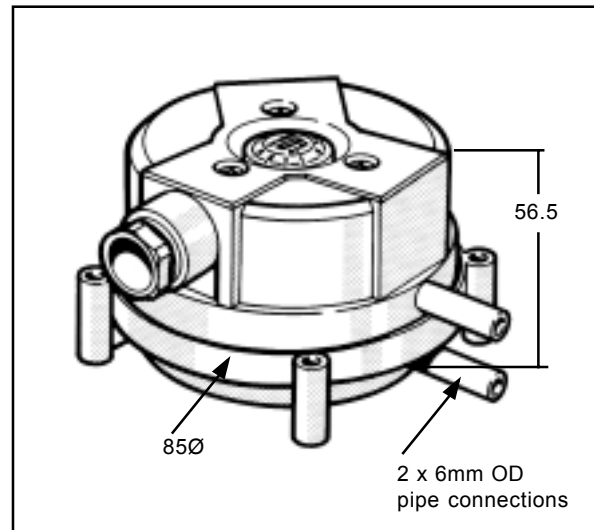
**APPLICATIONS**

- Monitoring air filters and ventilators
- Overheating protection for fan heaters
- Controlling air and fire protection flaps
- Monitoring industrial cooling-air circuits
- Monitoring flows in ventilation ducts
- Frost protection for heat exchangers

Type	Adjustment range	Switching differential	Tolerance
930.80	0.2 - 2 mbar	0.2 mbar	± 15%
930.83	0.5 - 5.0 mbar	0.2 mbar	± 15%
930.85	2.0 - 10.0 mbar	1.0 mbar	± 15%
930.86	5.0 25.0 mbar	1.5 mbar	± 15%

Technical data	
Maximum pressure	50 mbar (all ranges)
Temperature range	-20°C to +85°C
Diaphragm	Silicone
Electrical rating standard & low voltage	max 1.5A (0.4A)/250VAC max 0.1A / 24 VDC
Electrical connections	6.35mm push-on terminals
Protection	IP54/IP00 (with/without cover)

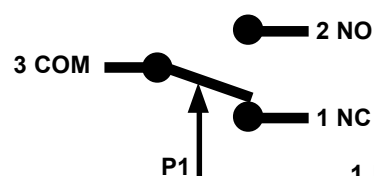
Switching pressure ranges apply to the switch being installed vertically. If the diaphragm is horizontal with the adjustment knob uppermost, the switching values will be approximately 0.2 mbar higher



**Type 911.81x**  
Option available with screw adjustment instead of graduated knob.

**Pressure connections**

P1 for connection to higher pressure  
P2 for connection to lower pressure

**Switch contacts**

- 1 Break contact
- 2 Operating contact
- 3 Power supply line

**PRESSURE-VACUUM-LEVEL LTD**

Unit 9, Lexden Lodge Industrial Estate, Jarvis Brook,  
Crowborough, East Sussex, TN6 2NQ U.K.

Tel: +44(0)1892 66 44 99 Fax: +44(0)1892 66 36 90

Web: [www.pvl.co.uk](http://www.pvl.co.uk) Email: [info@pvl.co.uk](mailto:info@pvl.co.uk)

